

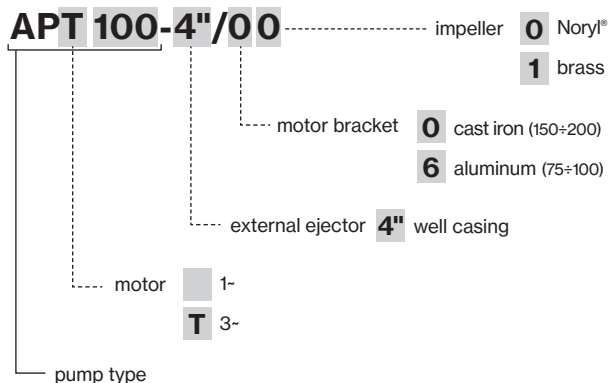
Self-priming centrifugal pumps with 4" external ejector. Suitable for water supply (even if mixed with air) of small domestic systems, that can be connected to an autoclave tank.

Construction features

Pump body	cast iron
Motor bracket	aluminum (75-100) cast iron (150-200)
Impeller	Noryl® or brass
Mechanical seal	ceramic-graphite-NBR
Motor shaft	stainless steel AISI 416 (75-100) stainless steel AISI 303 hydraulic part (150-200)
Liquid temperature	0 - 50 °C
Operating pressure	max 8 bar

Motor

	3- 230/400V - 50Hz
2 poles induction motor	1- 230V - 50Hz (with thermal protection)
Insulation class	F
Protection degree	IPX4



TYPE	LOTS		CONTAINER	
	TRUCK		CONTAINER	
	PALLET (cm)	N° pumps	PALLET (cm)	N° pumps
AP 75-100	85×110×145	60	85×110×190	80
AP 150-200	80×120×140	35	80×120×190	49



AP 75÷100

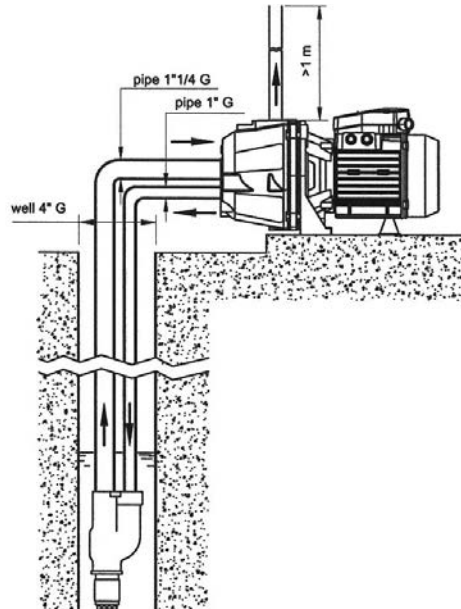


AP 150÷200

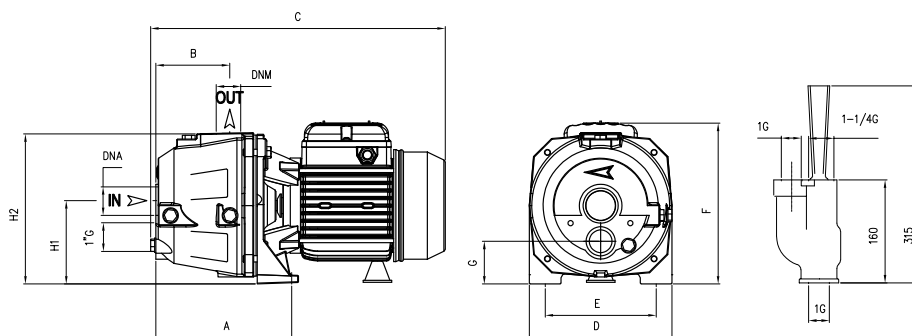


4"





TYPE - 50 Hz		P2		P1		CURRENT		Ejector type	Suction depth. m	Q (m ³ /h - l/min)									
1-	3-	HP	kW	1-	3-	1- 230V	3- 400V			H (m)									
										0,18 3	0,36 6	0,6 10	0,9 15	1,2 20	1,5 25	1,8 30	2,1 35	3 50	3,6 60
AP 75	APT 75	0,8	0,59	0,8	0,81	3,7	1,4	P 20	15 20	31 28	28 23	25 18	22 15	19 13	17 11	15	12		
								P 30	25 30	22 14	16 8	11	8						
AP 100	APT 100	1	0,74	1,02	1,05	4,7	2,3	P 20	15 20	40 37	37 34	34 30	30 25	27 21	24 17	21	18		
								P 30	25 30 35	30 14 12	25 8 4	20	14	11					
AP 150	APT 150	1,5	1,1	1,65	1,65	8,2	3	P 20	15 20 25						50 45	42 37 34	35 30 27	25 21	21
								P 30	35 40 50		49	48 43	49 40 20	41	20				
AP 200	APT 200	2	1,5	2,22	2,22	10,3	4,1	P 20	15 20 25						50	48 44	43 40	35 32 28	30 27 23
								P 30	35 40 50		49	46 40	30		28	20			



TYPE		DIMENSIONS (mm)														
-1	-3	A	B	C	D	E	F	G	H1	H2	DNA	DNM	I	L	M	Kg
AP 75	APT 75	168	82	360	180	140	195	52	97	188	1" 1/4 G	1" G	440	200	225	16
AP 100	APT 100	168	82	360	180	140	195	52	97	188			440	200	225	18
AP 150	APT 150	125	74	415	220	177	230	60	112	240			525	230	280	28,5
AP 200	APT 200	125	74	415	220	177	230	60	112	240			525	230	280	29

