

# AQUADOMUS

Booster set



Aquadomus is an integrated 'Plug&Play' system to manage water pressurization for domestic and residential applications. The electronic control (E-IPFC) manages the operation of the system in order to maintain the pressure constant even if the conditions of use change. It can be driven and monitored by a dedicated app "UnyConnect". It consists of a multistage pump, a permanent magnet synchronous motor, an electronic inverter control, an expansion tank, a no return valve, a pressure sensor, a cable with plug.

## Construction features

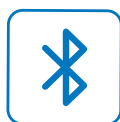
<b>Pump body</b>	stainless steel AISI 304
<b>Motor bracket</b>	aluminum
<b>Impellers, diffusers</b>	Noryl®
<b>Mechanical seal</b>	ceramic-graphite-EPDM
<b>Motor shaft</b>	stainless steel AISI 303
<b>Liquid temperature</b>	-5 ÷ +35 °C
<b>Rated pressure</b>	max 7 bar
<b>4 poles synchronous motor with permanent magnet</b>	4200 rpm
<b>Input voltage</b>	1- 230V - 50Hz 1- 220V - 60Hz 1- 115V - 50/60Hz
<b>Insulation class</b>	F
<b>Protection degree</b>	IPX4
<b>Max rated current</b>	3,7 A
<b>Max absorbed power P1</b>	820W
<b>Cable</b>	H07 RNF 1,5 m



Constant pressure even if the conditions of use change

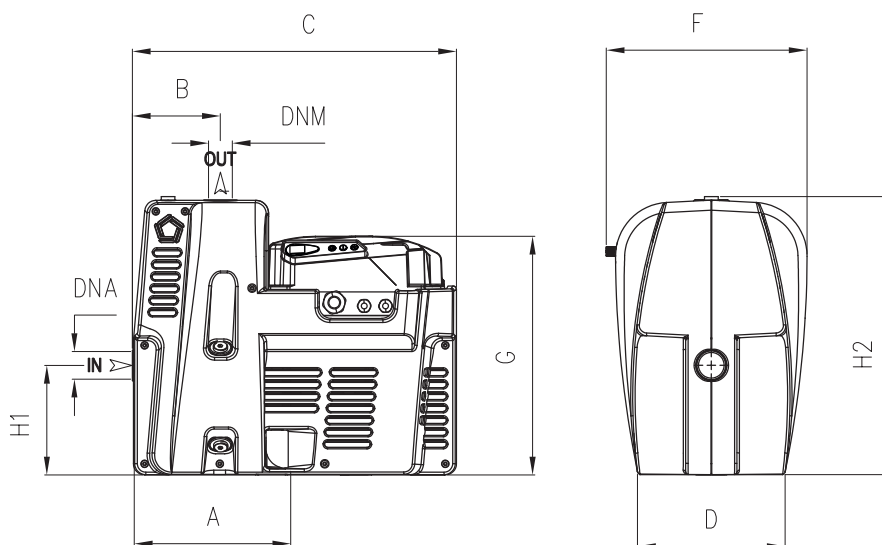
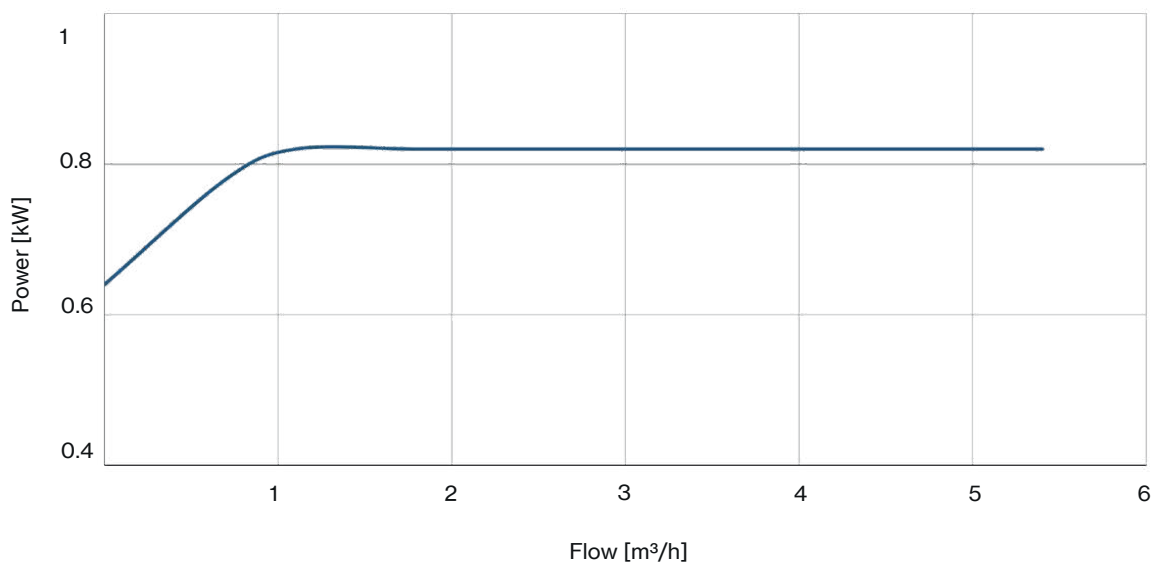
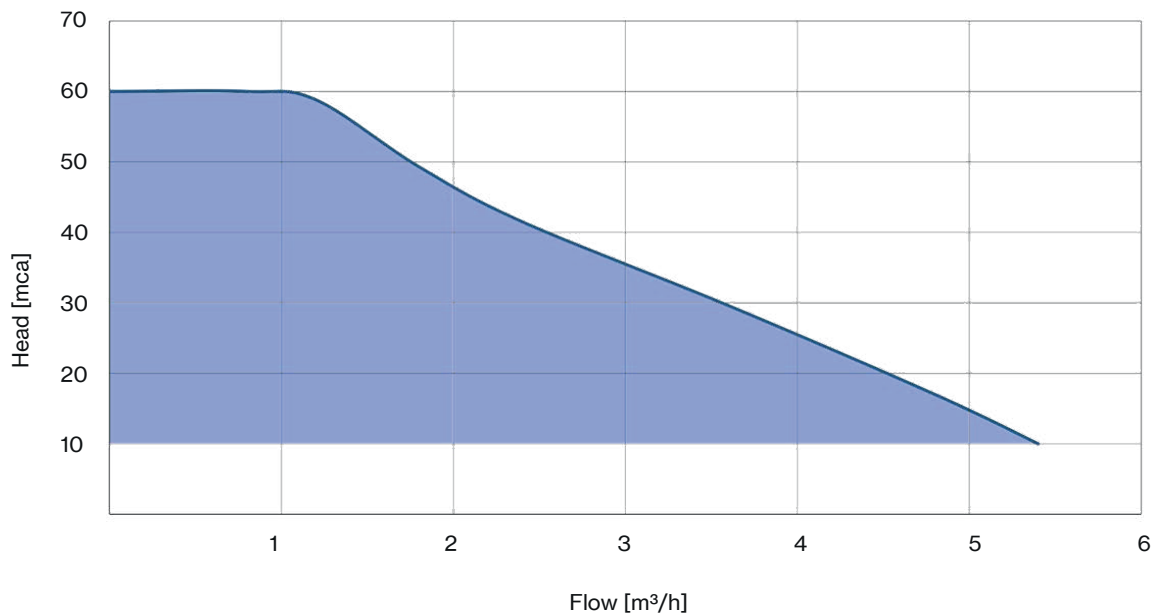


Dedicated UnyConnect App for programming and monitoring (compatible with ios and Android)



Bluetooth smart pump





TYPE - 50 Hz	DIMENSIONS (mm)										Kg
	A	B	C	D	F	G	H1	H2	DNA	DNM	
Aquadomus	166,8	103	377	173	235	280	128	325	1" G	1" G	11

