



Peripheral positive displacement pumps with side suction for small household systems and simple industrial applications; characterised by a considerable ratio between performance and required output; frontal brass insert avoiding the risk of blockage.

### Construction features

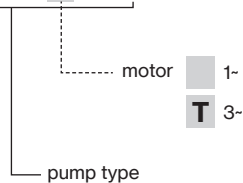
<b>Pump body</b>	cast iron and brass
<b>Motor bracket</b>	cast iron
<b>Impeller</b>	brass
<b>Mechanical seal</b>	ceramic-graphite-NBR
<b>Motor shaft</b>	stainless steel AISI 416
<b>Liquid temperature</b>	0 - 90 °C
<b>Operating pressure</b>	max 8 bar

### Motor

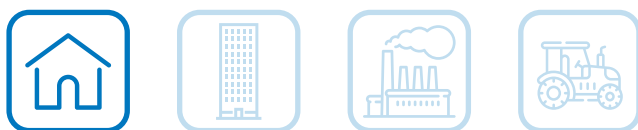
	3- 220/380V - 60Hz
<b>2 Poles induction motor</b>	1- 220V - 60Hz (with thermal protection)
<b>Insulation class</b>	F
<b>Protection degree</b>	IPX4

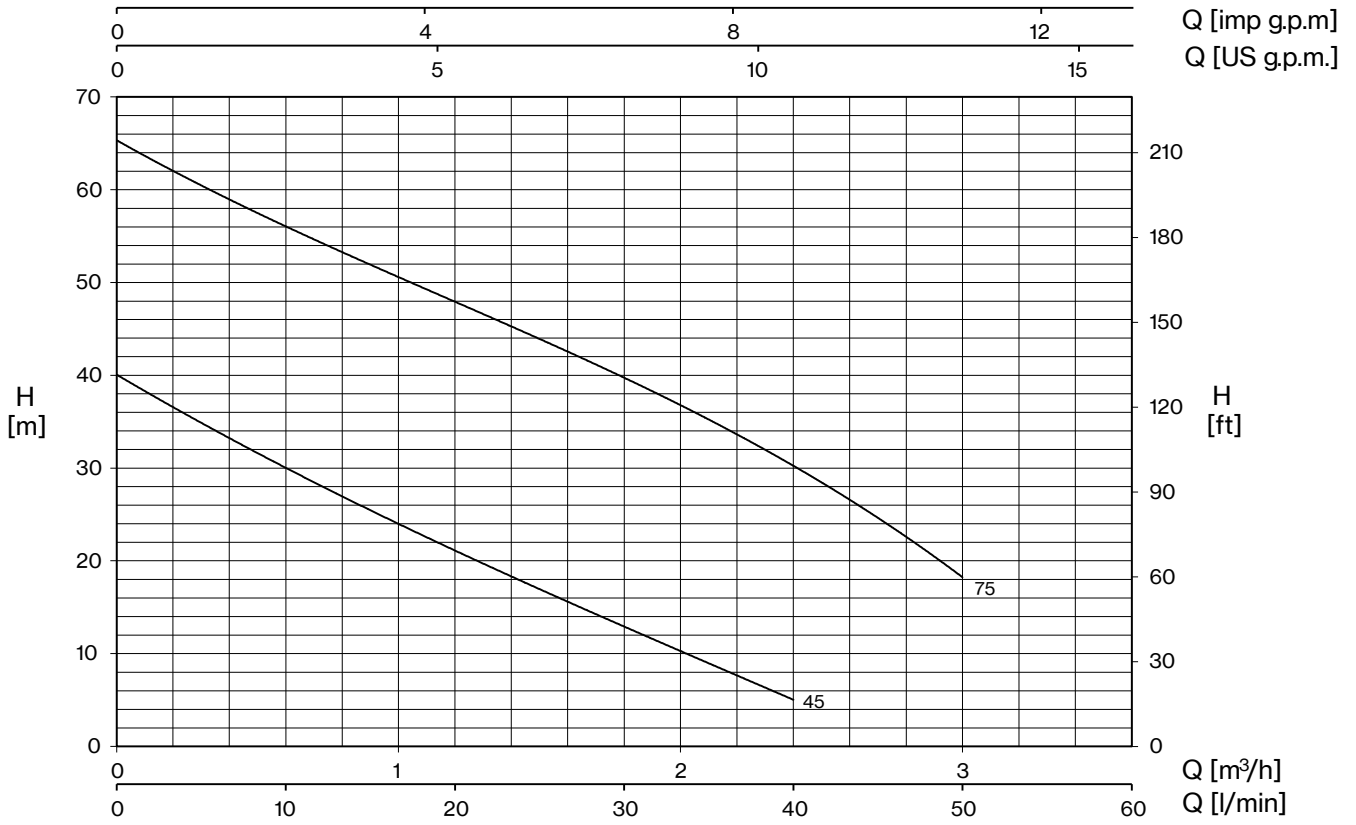
1- 110V - 60Hz	
TYPE	I (A)
CP 45	4,6
CP 75	10,4

### CPT 45

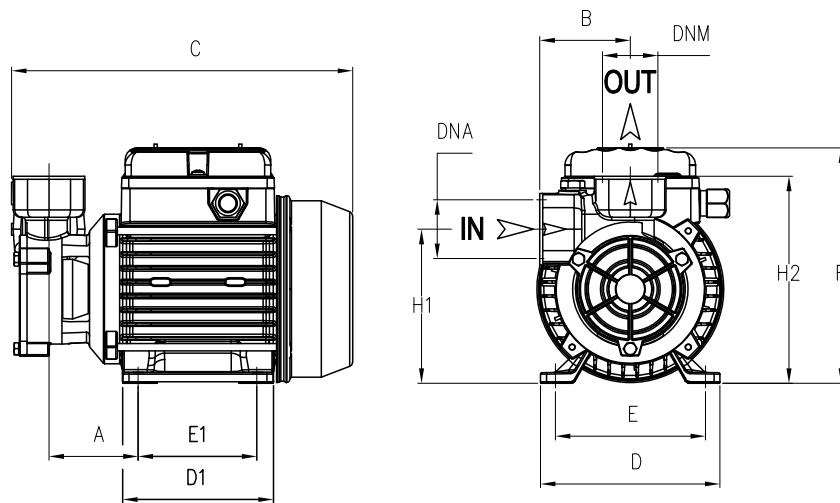


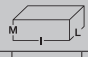

TYPE	LOTS			
	TRUCK		CONTAINER	
	PALLET (cm)	N° pumps	PALLET (cm)	N° pumps
CP 45	85×110×170	207	85×110×190	220
	80×120×170	198	80×120×190	230
CP 75	85×110×170	105	85×110×190	135
			80×120×170	136





TYPE - 60 Hz		P2		P1		CURRENT		Q (m³/h - l/min)					
1~	3~			1~	3~	1~ 220V	3~ 380V	0,3 5	0,6 10	1,2 20	1,8 30	2,4 40	3 50
		HP	kW	kW		A		H (m)					
CP 45	CPT 45	0,5	0,37	0,5	0,5	2,3	1	35,0	30,0	21,0	13,0	5,0	
CP 75	CPT 75	1	0,74	1,1	1,13	5,2	2	61,0	56,0	48,0	39,0	31,0	18,0



TYPE		DIMENSIONS (mm)															
1~	3~	A	B	C	D	D1	E	E1	F	H1	H2	DNA	DNM	I	L	M	Kg
CP 45	CPT 45	67	60	235	120	101	97	80	165	105	140	1" G	1" G	265	145	165	5,7
CP 75	CPT 75	71,5	60	263	135	112	112	89	172	124	156	1" G	1" G	310	185	195	9,2