

POOL1 EASY

Swimming Pool



POOL1 pumps with electronic EASY control panel for an intuitive setting of the pool. It includes dry running and overload protection, security for people, filtration timers and input / outputs for the management of the lighting system, salt chlorinator, heat pump, temperature probe.



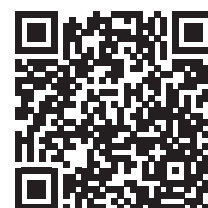
EASY control panel

Construction features

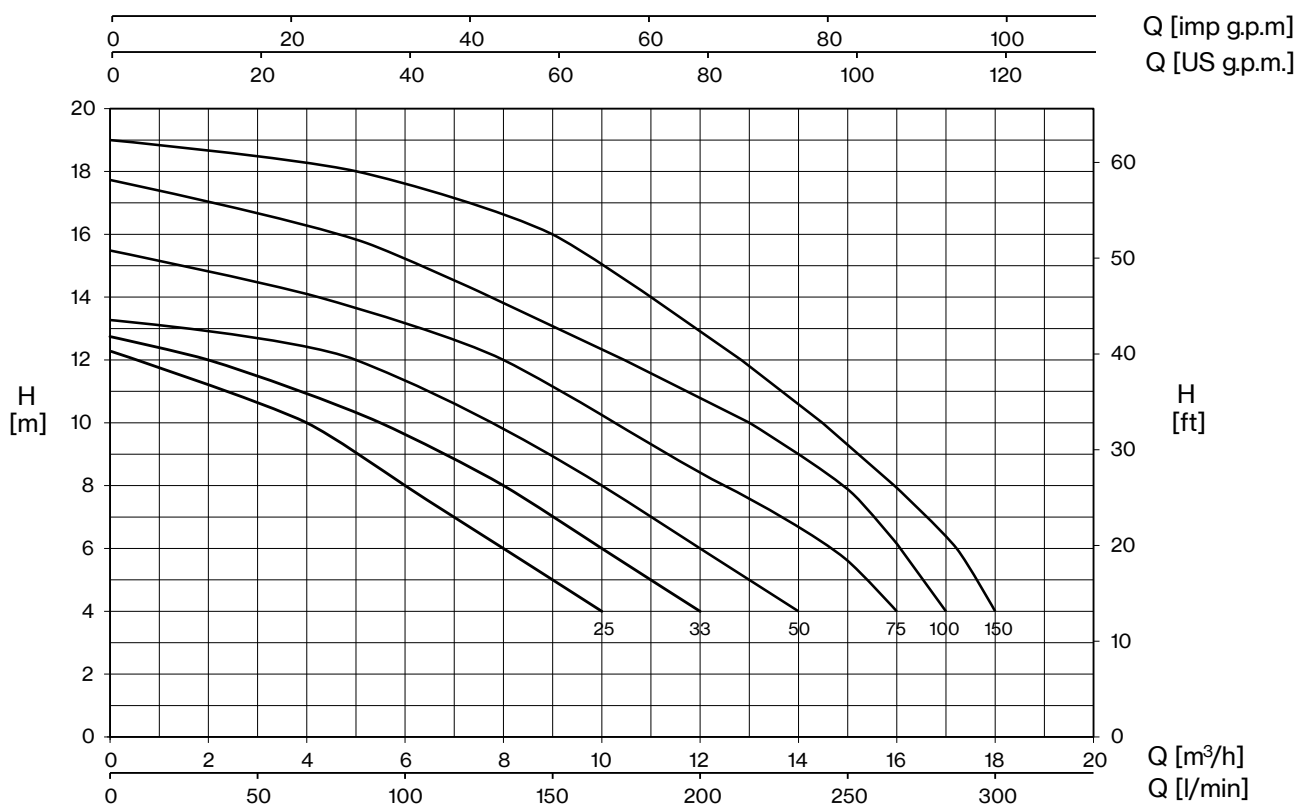
Painting	cataphoresis
Pump body, seal housing, diffuser	polypropylene + fiberglass
Motor bracket	aluminum
Impeller	Noryl®
Mechanical seal	ceramic-graphite-AISI 316
Motor shaft	stainless steel AISI 316
Liquid temperature	max 40 °C
Pre-filter cover	polycarbonate

Motor

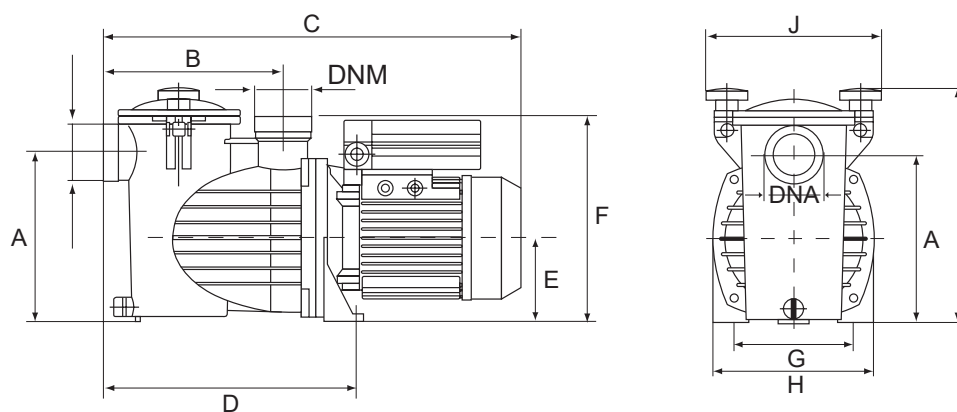
2 poles induction motor	1~ 230V - 50Hz
Insulation class	F
Protection degree	IP55



POOL1 EASY



TYPE - 50 Hz	P2		CURRENT	H (m)									
				1- 230V	4	6	8	10	12	14	16	18	
1-	HP	kW	A	Q (m³/h)									
POOL1 EASY 25M	0,25	0,16	2,6	10,0	8,0	6,0	4,0	0,5					
POOL1 EASY 33M	0,33	0,25	2,9	12,0	10,0	8,0	5,5	2,0					
POOL1 EASY 50M	0,5	0,37	3,3	14,0	12,0	10,0	7,0	5,0					
POOL1 EASY 75M	0,75	0,55	3,8	16,0	15,0	12,5	10,0	8,0	4,2				
POOL1 EASY 100M	1	0,75	4,2	17,0	16,0	15,3	13,0	10,5	7,6	5,5			
POOL1 EASY 150M	1,5	1,1	7,3	18,0	17,3	15,9	14,5	12,8	11,0	9,0	5,0		



TYPE	DIMENSIONS (mm)														Kg	
	A	B	C	D	E	F	G	H	I	J	DNA	DNM	L1	A1		H1
POOL1 EASY 25M	191	205	470	285	95	233	140	180	265	197	1" ½ Ø 50 PVC		630	230	360	9,5
POOL1 EASY 33M	191	205	470	285	95	233	140	180	265	197			630	230	360	9,5
POOL1 EASY 50M	191	205	470	285	95	233	140	180	265	197			630	230	360	9,5
POOL1 EASY 75M	191	205	470	285	95	233	140	180	265	197			630	230	360	10,9
POOL1 EASY 100M	191	205	470	285	95	233	140	180	265	197			630	230	360	10,9
POOL1 EASY 150M	191	205	470	285	95	233	140	180	265	197			630	230	360	11,6

