

# POOL2 EASY

Swimming Pool



POOL2 pumps with electronic EASY control panel for an intuitive setting of the pool. It includes dry running and overload protection, security for people, filtration timers and input / outputs for the management of the lighting system, salt chlorinator, heat pump, temperature probe.



EASY control panel

## Construction features

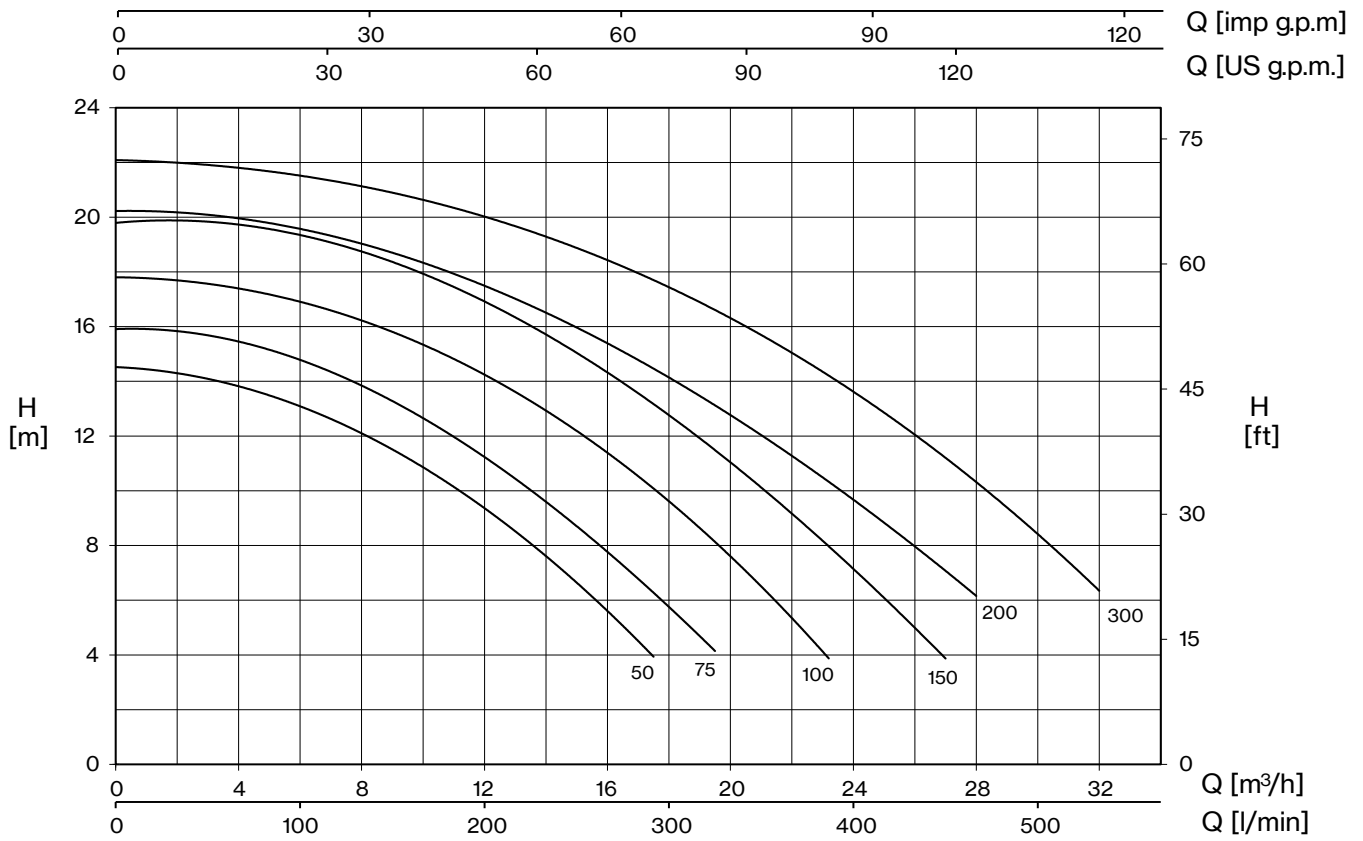
<b>Painting</b>	cataphoresis
<b>Pump body, seal housing, diffuser</b>	polypropylene + fiberglass
<b>Motor bracket</b>	aluminum
<b>Impeller</b>	Noryl®
<b>Mechanical seal</b>	ceramic-graphite-AISI 316
<b>Motor shaft</b>	stainless steel AISI 316
<b>Liquid temperature</b>	max 40 °C
<b>Pre-filter cover</b>	polycarbonate
<b>Opening key for pre-filter lid</b>	polypropylene

## Motor

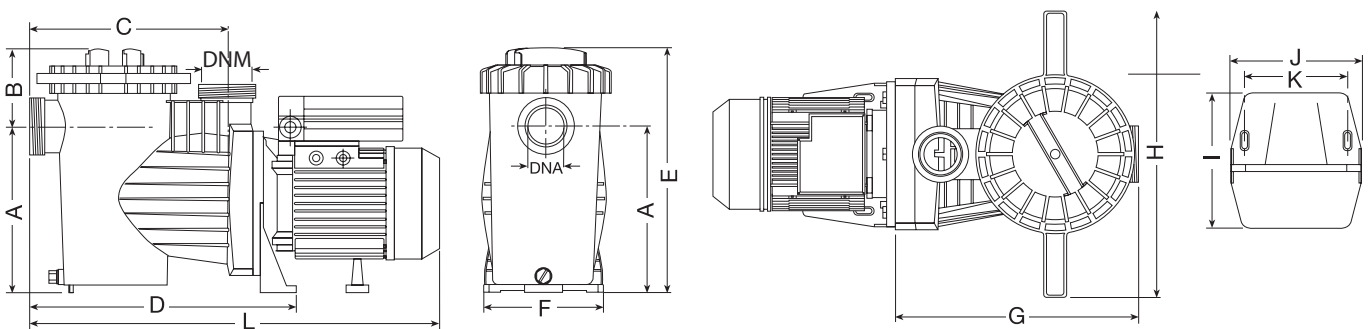
<b>2 poles induction motor</b>	1~ 230V - 50Hz
<b>Insulation class</b>	F
<b>Protection degree</b>	IP55



# POOL2 EASY



TYPE - 50 Hz	P2		CURRENT	H (m)														
				1- 230V	4	6	8	10	12	14	16	18	21					
	HP	kW	A	Q (m³/h)														
<b>POOL2 EASY 50M</b>	0,5	0,37	4,4	17,5	15,6	13,5	11,1	8,4										
<b>POOL2 EASY 75M</b>	0,75	0,55	4,75	19,5	18,0	15,7	13,5	10,8	7,9									
<b>POOL2 EASY 100M</b>	1	0,75	5,5	23,2	21,1	19,77	18,0	15,0	12,3	8,7,0								
<b>POOL2 EASY 150M</b>	1,5	1,1	7,3	27,0	25,0	23,0	21,0	19,0	17,0	13,0	10,0							
<b>POOL2 EASY 200M</b>	2	1,5	9,2		28,0	26,0	24,0	21,0	18,0	14,0	12,0							
<b>POOL2 EASY 300M</b>	3	2,2	12,2		32,0	30,0	29,0	27,0	23,0	20,0	15,0	12,0						



TYPE	DIMENSIONS (mm)																	
	A	B	C	D	E	F	G	H	I	J	K	L	DNA	DNM	L1	A1	H1	
<b>POOL2 EASY 50M</b>	216	109	265	370	325	206	325	400	220	205	160	550	2" Ø 63 PVC		630	230	360	12,7
<b>POOL2 EASY 75M</b>	216	109	265	370	325	206	325	400	220	205	160	550						12,9
<b>POOL2 EASY 100M</b>	216	109	265	370	325	206	325	400	220	205	160	550						14,1
<b>POOL2 EASY 150M</b>	216	109	265	370	325	206	325	400	220	205	160	580						16,5
<b>POOL2 EASY 200M</b>	216	109	265	370	325	206	325	400	220	205	160	580						18,1
<b>POOL2 EASY 300M</b>	216	109	265	370	325	206	325	400	220	205	160	630						22

