

POOL2 EASY

Swimming Pool



POOL2 pumps with electronic EASY control panel for an intuitive setting of the pool. It includes dry running and overload protection, security for people, filtration timers and input / outputs for the management of the lighting system, salt chlorinator, heat pump, temperature probe.



EASY control panel

Construction features

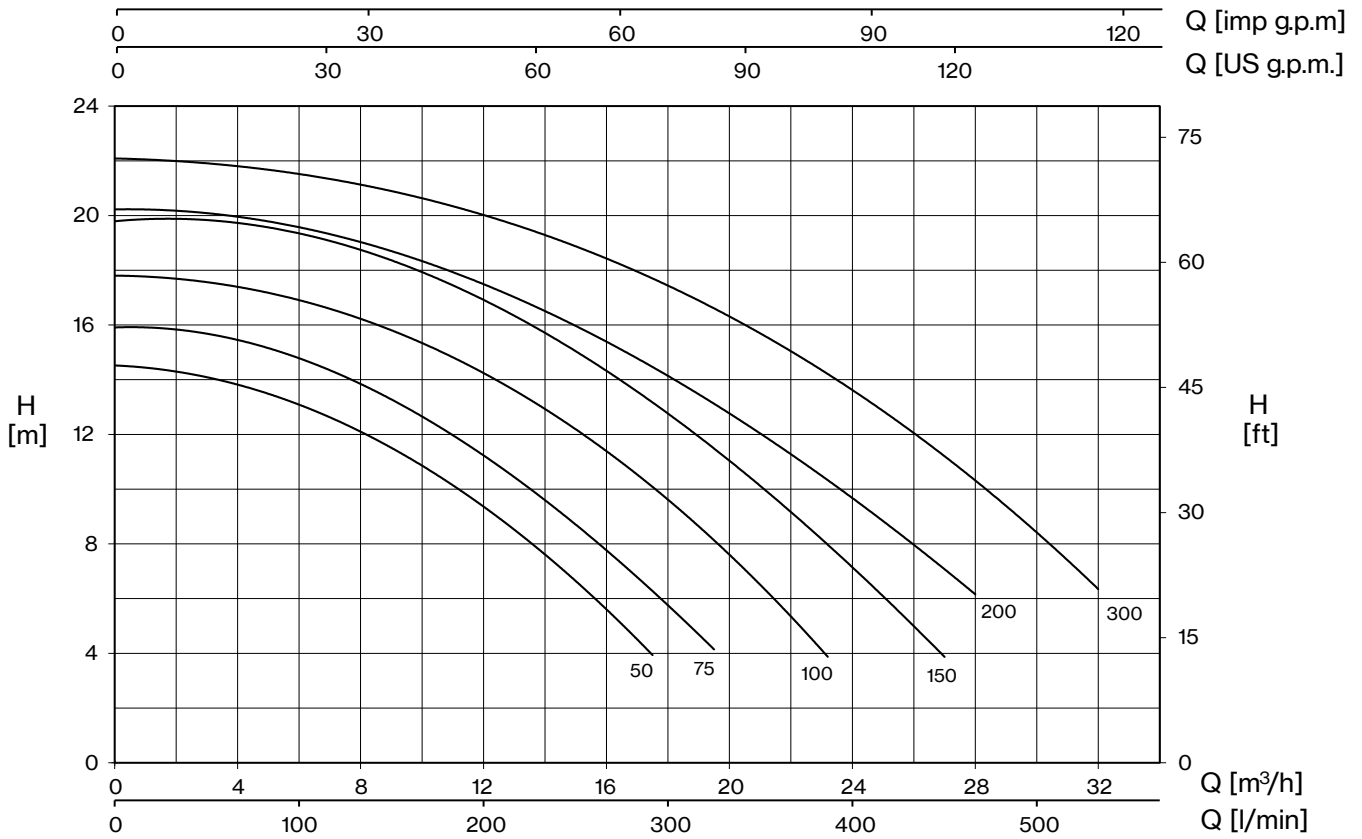
Painting	cataphoresis
Pump body, seal housing, diffuser	polypropylene + fiberglass
Motor bracket	aluminum
Impeller	Noryl®
Mechanical seal	ceramic-graphite-AISI 316
Motor shaft	stainless steel AISI 316
Liquid temperature	max 40 °C
Pre-filter cover	polycarbonate
Opening key for pre-filter lid	polypropylene

Motor

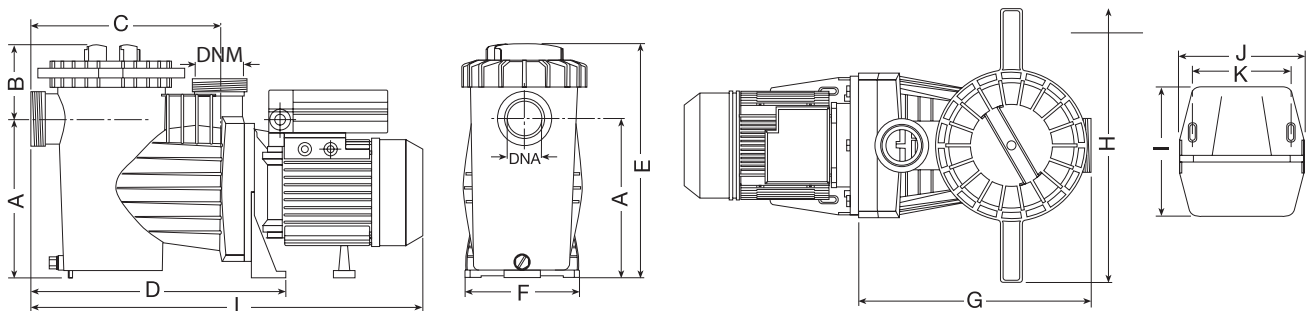
	1~ 220V - 60Hz
2 Poles induction motor	3~ 220/380V - 60Hz
Insulation class	F
Protection degree	IP55



POOL2 EASY



TYPE - 60 Hz	P2		CURRENT		H (m)													
			1- 220V	4	6	8	10	12	14	16	18	21						
	HP	kW	A	Q (m³/h)														
1-																		
POOL2 EASY 50M	0,5	0,37	4,4	17,5	15,6	13,5	11,1	8,4										
POOL2 EASY 75M	0,75	0,55	4,75	19,5	18,0	15,7	13,5	10,8	7,9									
POOL2 EASY 100M	1	0,75	5,5	23,2	21,1	19,77	18,0	15,0	12,3	8,7,0								
POOL2 EASY 150M	1,5	1,1	7,3	27,0	25,0	23,0	21,0	19,0	17,0	13,0	10,0							
POOL2 EASY 200M	2	1,5	9,2		28,0	26,0	24,0	21,0	18,0	14,0	12,0							
POOL2 EASY 300M	3	2,2	12,2		32,0	30,0	29,0	27,0	23,0	20,0	15,0	12,0						



TYPE	DIMENSIONS (mm)																Kg	
	A	B	C	D	E	F	G	H	I	J	K	L	DNA	DNM	L1	A1		H1
POOL2 EASY 50M	216	109	265	370	325	206	325	400	220	205	160	550	Ø 63 PVC		630	230	360	12,7
POOL2 EASY 75M	216	109	265	370	325	206	325	400	220	205	160	550		630	230	360	12,9	
POOL2 EASY 100M	216	109	265	370	325	206	325	400	220	205	160	550		630	230	360	14,1	
POOL2 EASY 150M	216	109	265	370	325	206	325	400	220	205	160	580		630	230	360	16,5	
POOL2 EASY 200M	216	109	265	370	325	206	325	400	220	205	160	580		630	230	360	18,1	
POOL2 EASY 300M	216	109	265	370	325	206	325	400	220	205	160	630		705	230	360	22	

