

Multi-stage centrifugal pumps, horizontal and self-priming, particularly suitable for constructing small and medium sized pressurisation systems; able to suck liquids mixed with air.

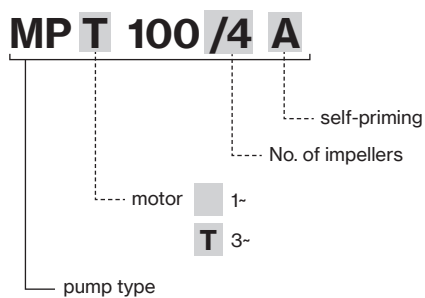
Construction features

Pump body	cast iron
Motor bracket	cast iron
Impeller	Noryl®
Mechanical seal	ceramic-graphite-NBR
Motor shaft	stainless steel AISI 416
Liquid temperature	0 - 50 °C
Operating pressure	max 11 bar

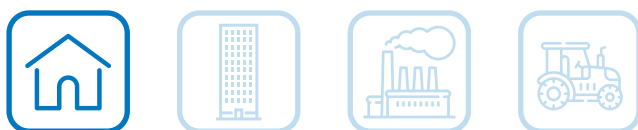
Motor

	3- 220/380V - 60Hz
2 poles induction motor	1- 220V - 60Hz (with thermal protection)
Insulation class	F
Protection degree	IPX4

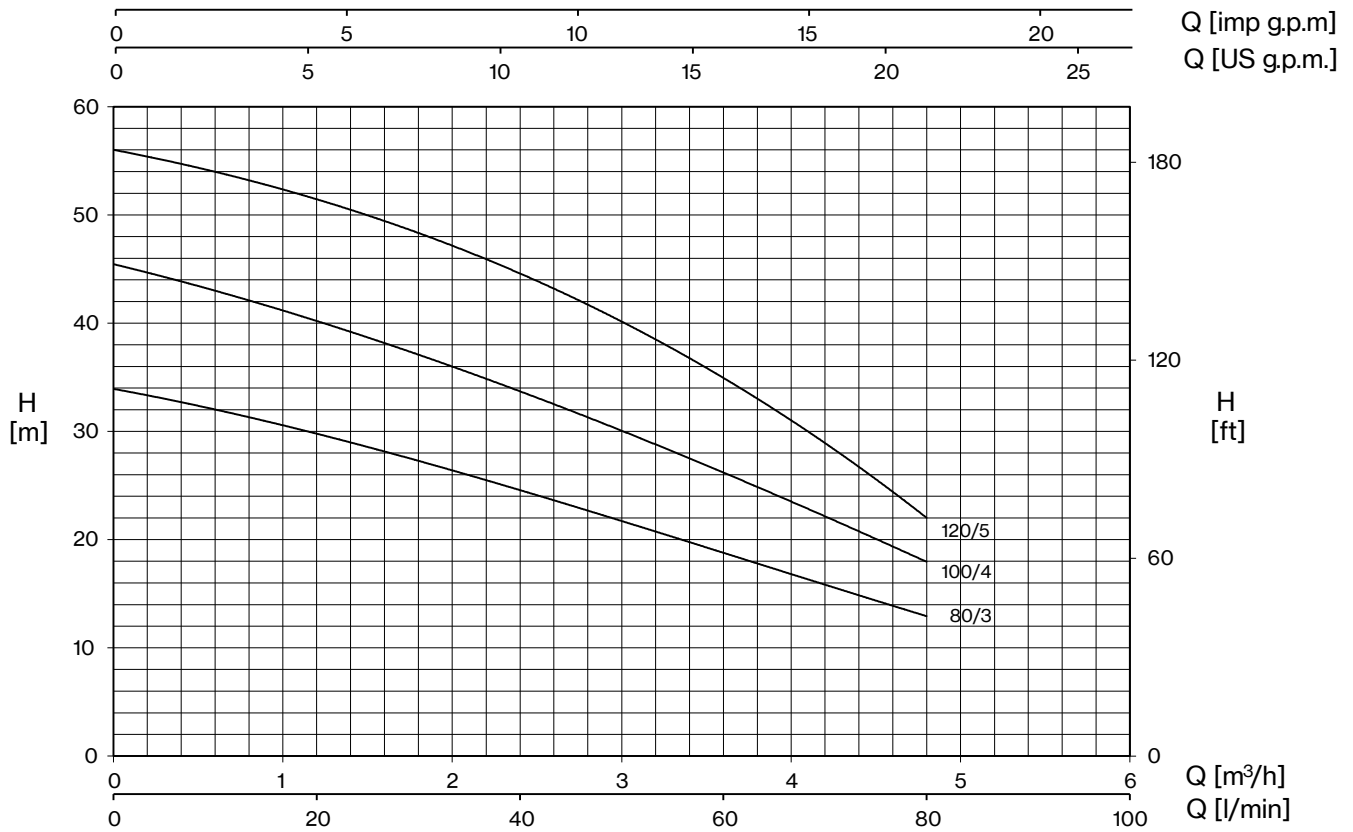
1- 110V - 60Hz	
TYPE	I (A)
MP 80/3 A	7,6
MP 100/4 A	10,0
MP 120/5 A	12,2



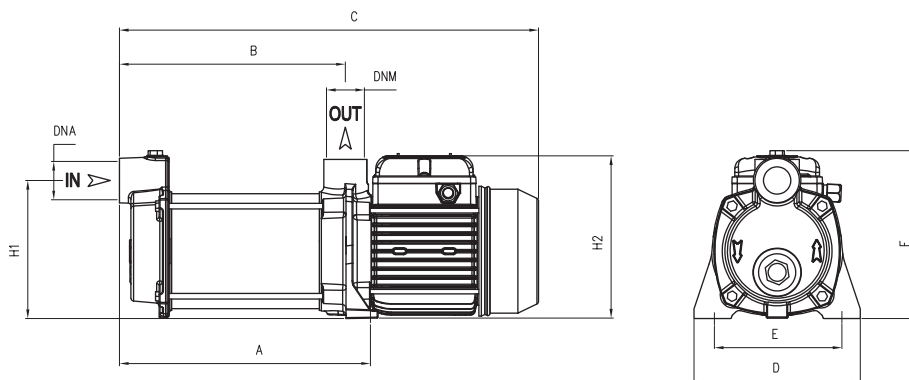
TYPE	LOTS			
	TRUCK		CONTAINER	
	PALLET (cm)	N° pumps	PALLET (cm)	N° pumps
MP/A	80×120×150	48	80×120×190	64



MP/A



TYPE - 60 Hz		P2		P1		CURRENT		Q (m³/h - l/min)				
1~	3~			1~	3~	1~ 220V	3~ 380V	0	1,2	2,4	3,6	4,8
		HP	kW	kW		A		H (m)				
								0	20	40	60	80
MP 80/3 A	MPT 80/3 A	0,8	0,59	0,83	0,88	3,8	1,6	34	29,5	25,0	18,5	13,0
MP 100/4 A	MPT 100/4 A	1	0,74	1,07	1,1	5,0	1,9	45,5	40,0	34,0	26,0	18,0
MP 120/5 A	MPT 120/5 A	1,2	0,88	1,27	1,33	6,1	2,3	56,0	51,5	44,5	35,0	22,0



TYPE		DIMENSIONS (mm)													
1~	3~	A	B	C	D	E	F	H1	H2	DNA	DNM	I	L	M	Kg
MP 80/3 A	MPT 80/3 A	245	224	425	180	140	185	150	175			440	200	215	14
MP 100/4 A	MPT 100/4 A	270	240	450	180	140	185	150	175	1" G	1" G	500	200	215	15,5
MP 120/5 A	MPT 120/5 A	295	264	475	180	140	185	150	175			500	200	215	16

