

Multi-stage centrifugal pumps, horizontal and self-priming, particularly suitable for constructing small and medium sized pressurisation systems; able to suck liquids mixed with air.

Construction features

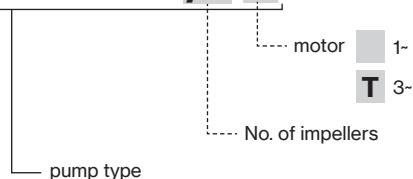
Pump body	stainless steel AISI 304
Motor bracket	aluminum
Impeller	Noryl®
Mechanical seal	ceramic-graphite-NBR
Pump shaft	stainless steel AISI 416
Liquid temperature	0 - 50 °C
Operating pressure	max 8 bar

Motor

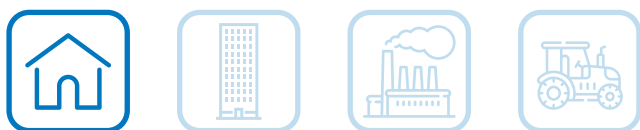
	3~ 220/380V - 60Hz
2 poles induction motor	1~ 220V - 60Hz (with thermal protection)
Insulation class	F
Protection degree	IPX4

1- 110V - 60Hz	
TYPE	I (A)
MPX 100/4	10,0
MPX 120/5	12,2

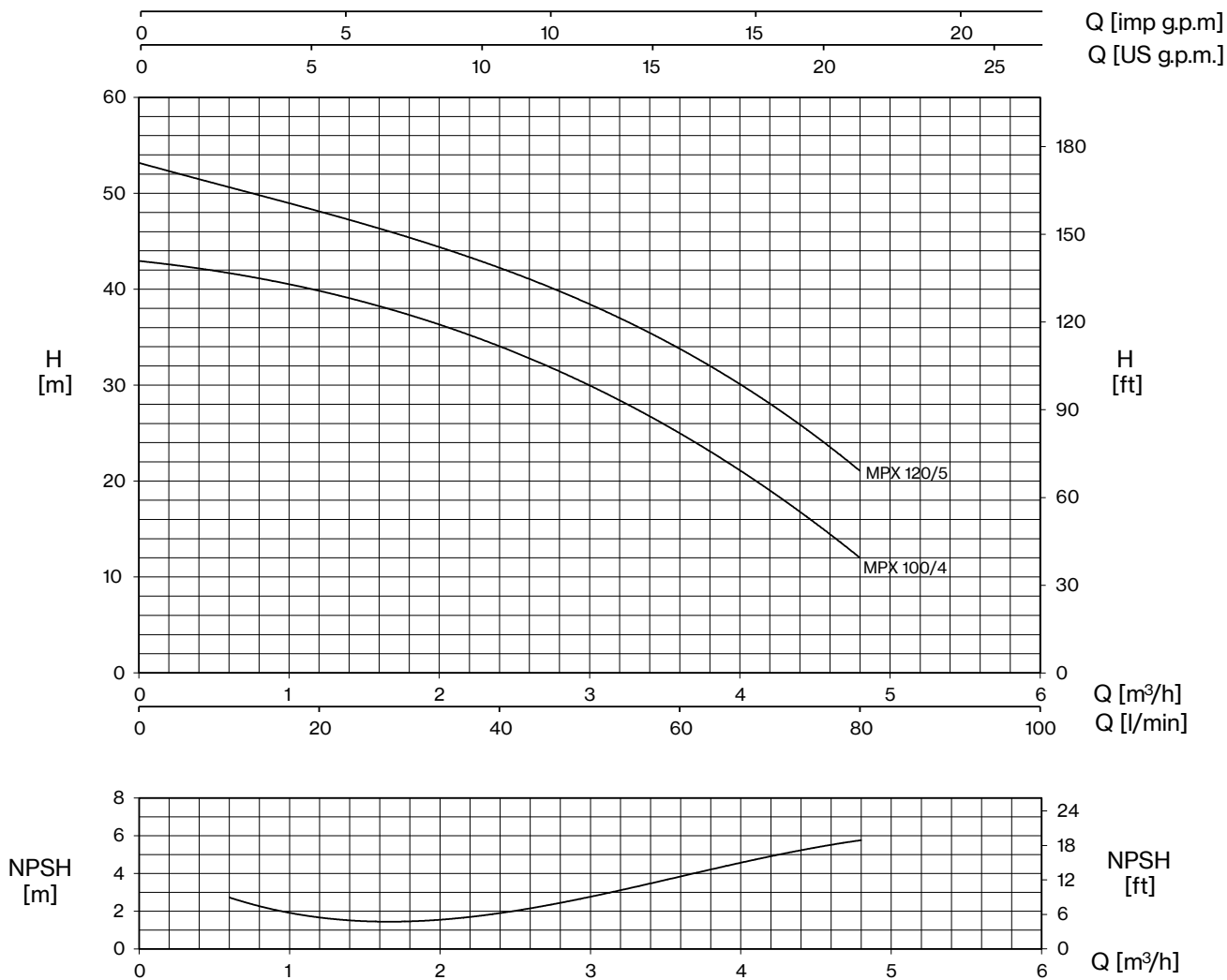
MPX 100 /4 T



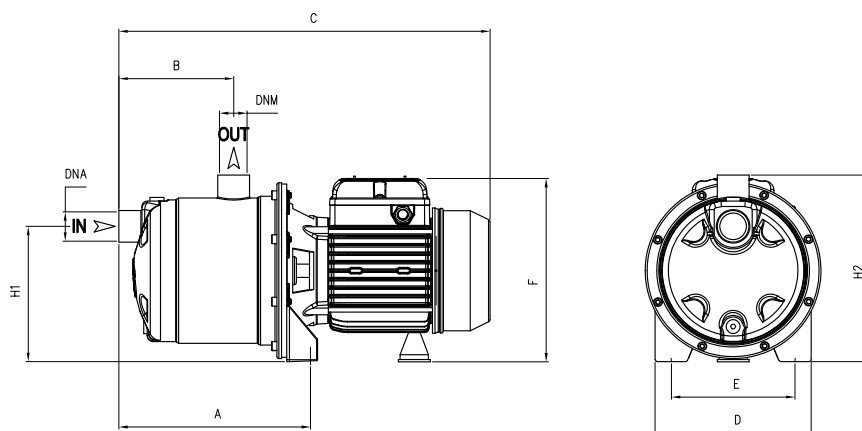
TYPE	LOTS			
	TRUCK		CONTAINER	
	PALLET (cm)	N° pumps	PALLET (cm)	N° pumps
MPX	85×110×150	60	85×110×190	80



MPX



TYPE - 60 Hz		P2		P1		CURRENT		Q (m³/h - l/min)					
1~	3~			1~	3~	1~ 220V	3~ 380V	0	0,6	1,2	2,4	3,6	4,8
		HP	kW	kW		A		H (m)					
MPX 100/4	MPXT 100/4	1	0,74	1,07	1,1	5	1,9	43,0	41,5	40,0	34,0	25,0	12,0
MPX 120/5	MPXT 120/5	1,2	0,88	1,27	1,33	6,1	2,3	53,0	51,0	48,0	42,0	34,0	21,0



TYPE		DIMENSIONS (mm)													
1~	3~	A	B	C	D	E	F	H1	H2	DNA	DNM	I	L	M	Kg
MPX 100/4	MPXT 100/4	208	128	410	175	140	215	153	210	1" G	1" G	430	210	235	11
MPX 120/5	MPXT 120/5	208	128	410	175	140	215	153	210	1" G	1" G	430	210	235	11,5



MPX GARDEN-BOX

Portable electropumps complete with handle, cable with plug and switch.
The performances depend on adopted pump type.

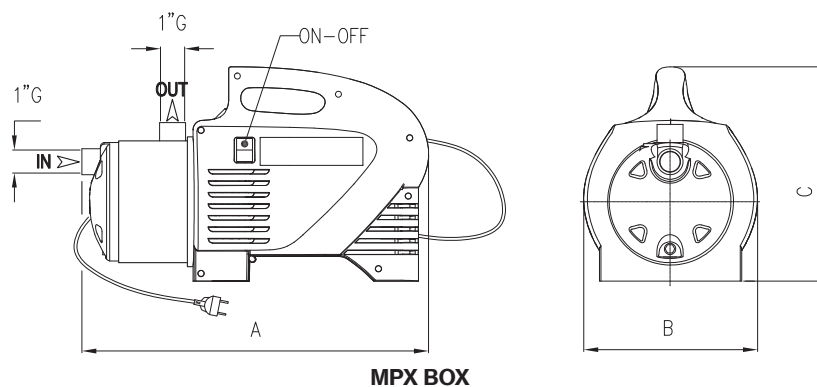
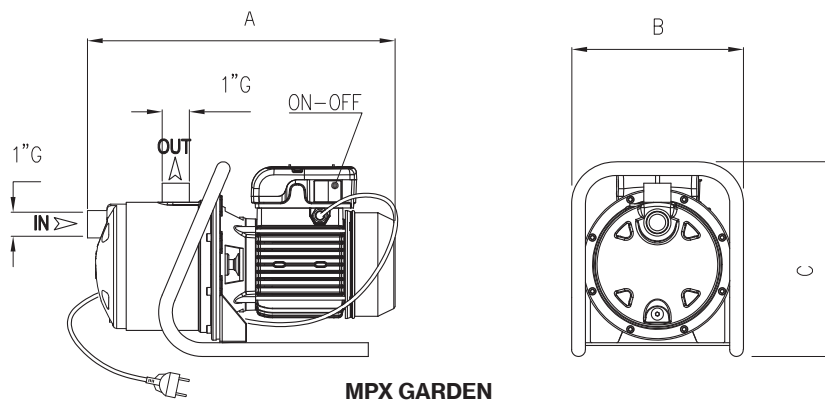


MPX GARDEN



MPX BOX

TYPE - 60 Hz	P2		P1	Pipe		Performance	
	HP	kW	kW	Suction	Delivery	Q (l/min)	H (m)
MPX 100/4 GARDEN-BOX	1	0,74	1,07	1	1	10-80	41,5-12
MPX 120/5 GARDEN-BOX	1,2	0,88	1,27	1	1	10-80	51-21



TYPE	DIMENSIONS (mm)		
	A	B	C
MPX 100/4 GARDEN	410	175	285
MPX 120/5 GARDEN	410	175	285
MPX 100/4 BOX	429	209	287
MPX 120/5 BOX	429	209	287