



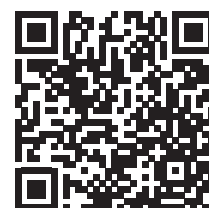
Self-priming pumps for pools with a large built-in pre-filter, which, together with the excellent hydraulic performance of the pump, generates a very high filtration capacity. Includes a transparent polycarbonate pre-filter lid with opening key for effortless opening and easy inspection of the sieve. Pump body, seal housing and diffuser reinforced with glass fibre polypropylene are resistant to chemical products used for pools and guarantee excellent duration.

Construction features

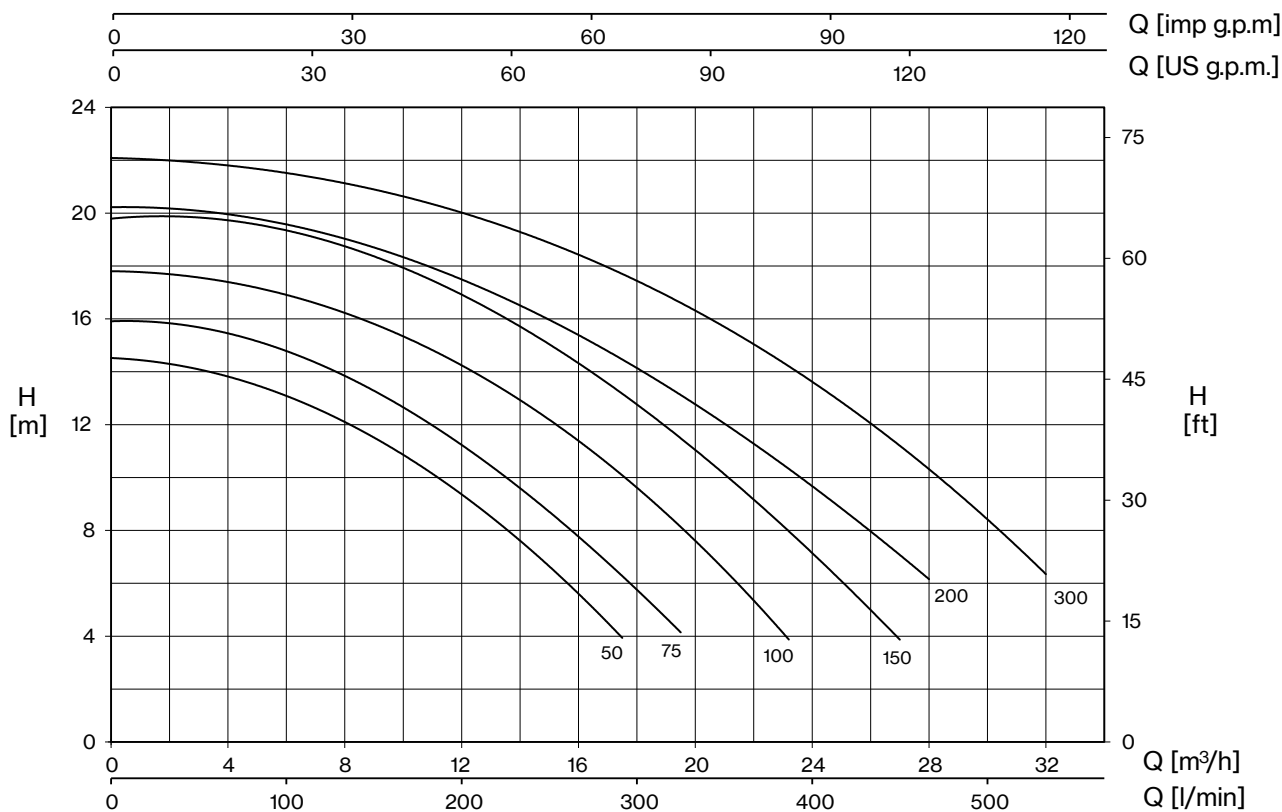
Painting	cataphoresis
Pump body, seal housing, diffuser	polypropylene + fiberglass
Motor bracket	aluminum
Impeller	Noryl®
Mechanical seal	ceramic-graphite-AISI 316
Motor shaft	stainless steel AISI 316
Liquid temperature	max 40 °C
Pre-filter cover	polycarbonate
Opening key for pre-filter lid	polypropylene

Motor

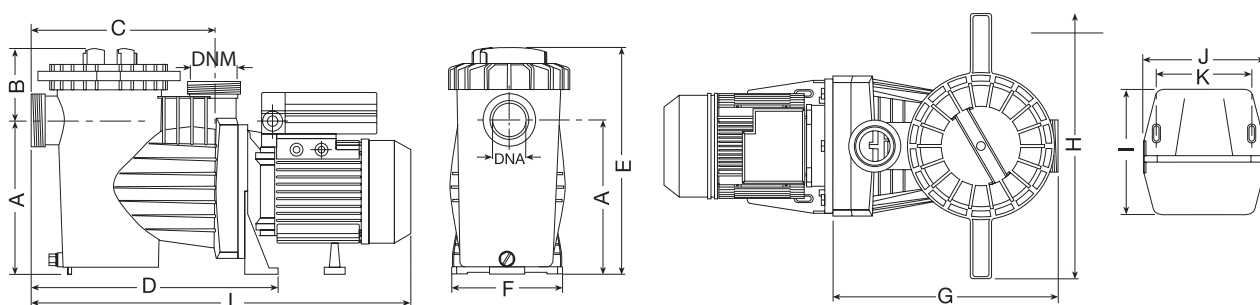
2 poles induction motor	1~ 230V - 50Hz
	3~ 230/400V - 50Hz
Insulation class	F
Protection degree	IP55



POOL2



TYPE - 50 Hz		P2		CURRENT			H (m)									
1-	3-			1- 230V	3- 230V	3- 400V	4	6	8	10	12	14	16	18	21	
		HP	kW	A			Q (m³/h)									
POOL2 50M	POOL2 50T	0,5	0,37	4,4	2,4	1,4	17,5	15,6	13,5	11,1	8,4					
POOL2 75M	POOL2 75T	0,75	0,55	4,75	3,1	1,8	19,5	18,0	15,7	13,5	10,8	7,9				
POOL2 100M	POOL2 100T	1	0,75	5,5	3,8	2,2	23,2	21,1	19,7	18,0	15,0	12,3	8,7			
POOL2 150M	POOL2 150T	1,5	1,1	7,3	5,0	2,9	27,0	25,0	23,0	21,0	19,0	17,0	13,0	10,0		
POOL2 200M	POOL2 200T	2	1,5	9,2	6,0	3,5		28,0	26,0	24,0	21,0	18,0	14,0	12,0		
POOL2 300M	POOL2 300T	3	2,2	12,2	8,6	5,0		32,0	30,0	29,0	27,0	23,0	20,0	15,0	12,0	



TYPE		DIMENSIONS (mm)																Kg		
1-	3-	A	B	C	D	E	F	G	H	I	J	K	L	DNA	DNM	L1	A1	H1	1-	3-
POOL2 50M	POOL2 50T	216	109	265	370	325	206	325	400	220	205	160	550	2" Ø 63 PVC		630	230	360	12,7	12,7
POOL2 75M	POOL2 75T	216	109	265	370	325	206	325	400	220	205	160	550			630	230	360	12,9	12,5
POOL2 100M	POOL2 100T	216	109	265	370	325	206	325	400	220	205	160	550			630	230	360	14,1	13,9
POOL2 150M	POOL2 150T	216	109	265	370	325	206	325	400	220	205	160	580			630	230	360	16,5	14,9
POOL2 200M	POOL2 200T	216	109	265	370	325	206	325	400	220	205	160	580			630	230	360	18,1	15,9
POOL2 300M	POOL2 300T	216	109	265	370	325	206	325	400	220	205	160	630			705	230	360	22	18,4

