

# POOL4-I

Swimming Pool



POOL4-I commercial pool pumps integrate a variable speed drive with 3 configurable speeds for a greater comfort and minimized energy costs. The system allows the programming of 4 daily filtration cycles with different operating speed for each cycle. In installations with several POOL4-I the pumps automatically communicate and alternate to work the same amount of hours. Capable to work more than one pump at the same time.



Variable speed drive

## Construction features

<b>Painting</b>	cataphoresis
<b>Pump body, seal housing, diffuser</b>	polypropylene + fiberglass
<b>Motor bracket</b>	aluminum
<b>Impeller</b>	Noryl®, marine bronze on request
<b>Mechanical seal</b>	ceramic-graphite-AISI 316
<b>Motor shaft</b>	stainless steel AISI 316
<b>Liquid temperature</b>	max 40 °C
<b>Pre-filter cover</b>	polycarbonate
<b>Support base</b>	Noryl®

## VSD

**Power supply** 3~ 400V - 50Hz

## Motor

**4 or 2 poles induction motor** 3~ 230V/400V - 50Hz  
3~ 400V/690V - 50Hz

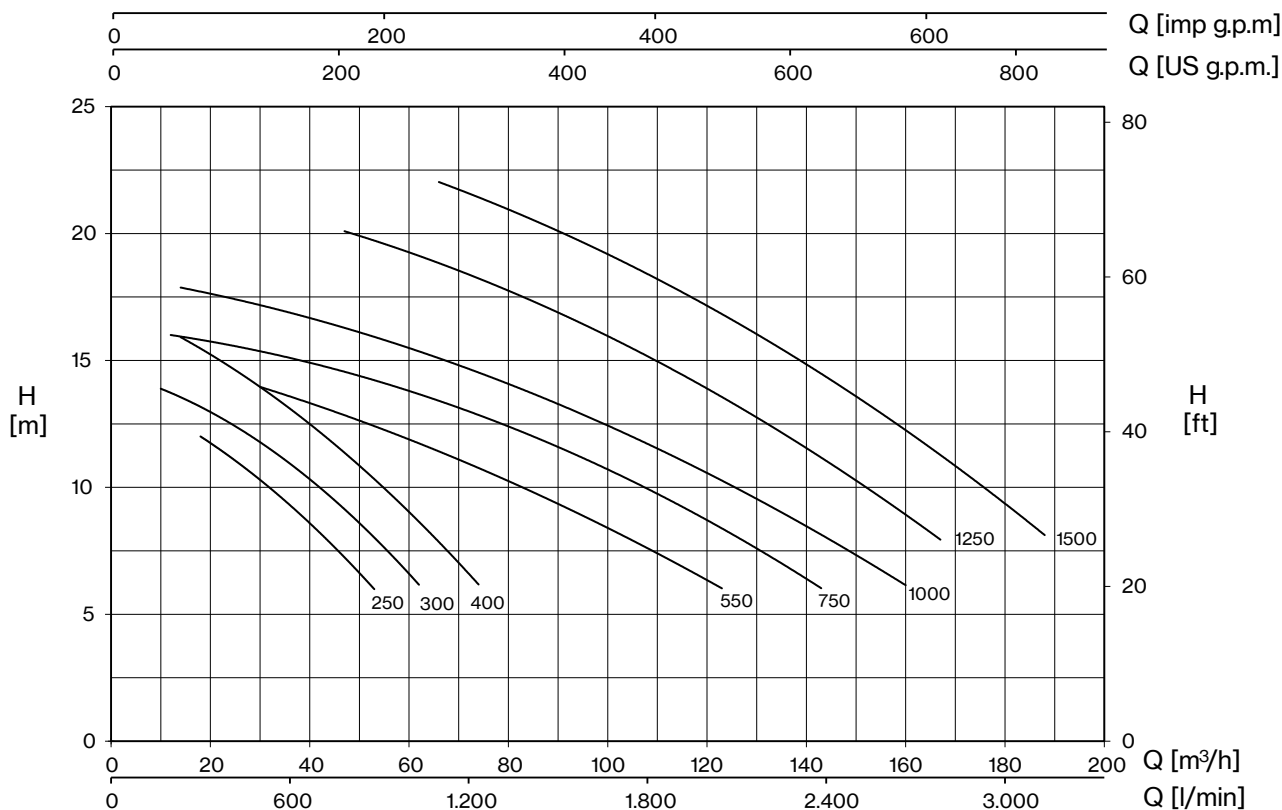
**Insulation class** F

**Protection degree** IP55

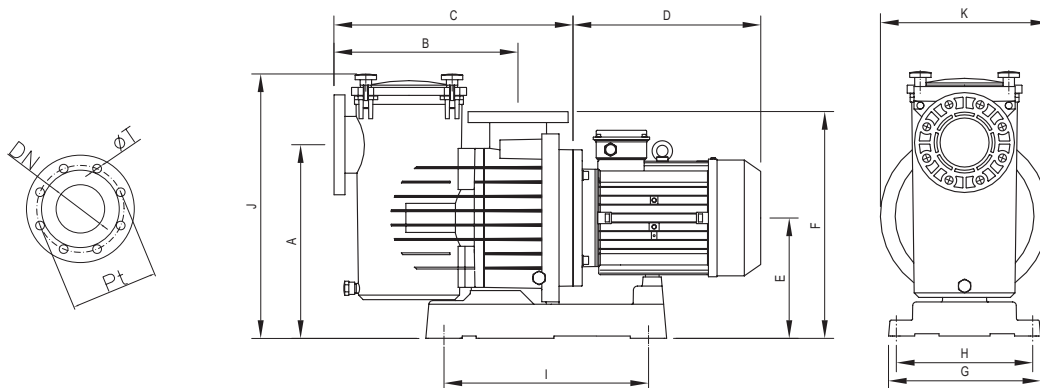
UP TO  
**65%**  
ENERGY SAVING



# POOL4-I



TYPE - 50 Hz	P2		CURRENT	rpm	H (m)										Minimum size of suction pipe		
					Q (m³/h)												
	HP	kW	400V A		6	8	10	12	14	16	18	20	22				
POOL4-I 4-250	2,5	1,8	4,9	1450	53	43	32	18									110
POOL4-I 4-300	3	2,2	5,3	1450	62	54	43	26	10								125
POOL4-I 4-400	4	3	6,9	1450	74	66	56	42	29	14							140
POOL4-I 4-550	5,5	4	8,8	1450	123	104	84	57	30								160
POOL4-I 4-750	7,5	5,5	12	1450	143	127	107	85	57	12							180
POOL4-I 4-1000	10	7,5	15,8	1450	160	145	126	107	80	48							180
POOL4-I 2-1250	12,5	9,2	18,5	2850		167	152	136	118	99	80	47					180
POOL4-I 2-1500	15	11	20,9	2850		188	177	162	146	130	112	92	66				200



TYPE	DIMENSIONS (mm)																		
	A	B	C	D	E	F	G	H	I	J	K	DNA	DNM	ØT	Pt	A1	H1	L1	Kg
POOL4-I 4-250	420	405	530	310	265	495	335	300	450	590	370	110	16	180		385	595	840	42
POOL4-I 4-300	420	405	530	310	265	495	335	300	450	590	370				385	595	840	42,5	
POOL4-I 4-400	420	405	530	310	265	495	335	300	450	590	370				385	595	840	44,5	
POOL4-I 4-550	420	405	530	335	265	495	335	300	450	590	370				385	715	1170	53,4	
POOL4-I 4-750	420	405	508	380	265	495	335	300	450	590	370				385	715	1170	66	
POOL4-I 4-1000	420	405	508	380	265	495	335	300	450	590	370				385	715	1170	76	
POOL4-I 2-1250	420	405	508	380	265	495	335	300	450	590	370				385	715	1170	84,5	
POOL4-I 2-1500	420	405	508	380	265	495	335	300	450	590	370				385	715	1170	85,5	

