

ULTRA SA

Self-priming



Self-priming horizontal multistage stainless steel pumps suitable for domestic use, also in combination with autoclave tank. Suitable for drinking water or glycol, for water treatment, heating, air conditioning and washing systems.

Construction features

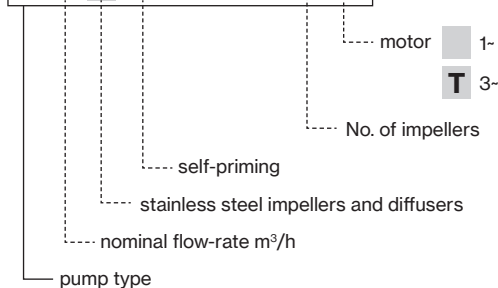
Pump body, mechanical seal housing	stainless steel AISI 304
Motor bracket	aluminum
Impellers, diffusers	stainless steel AISI 304
Mechanical seal	ceramic-graphite-EPDM
Motor shaft	stainless steel AISI 303
Liquid temperature	-15 ÷ +110 °C
Operating pressure	max 7 bar

Motor

	3- 220/380V - 60Hz
2 poles induction motor	1- 220V - 60Hz (with thermal protection up to 1,85 kW)
Insulation class	F
Protection degree	IPX4

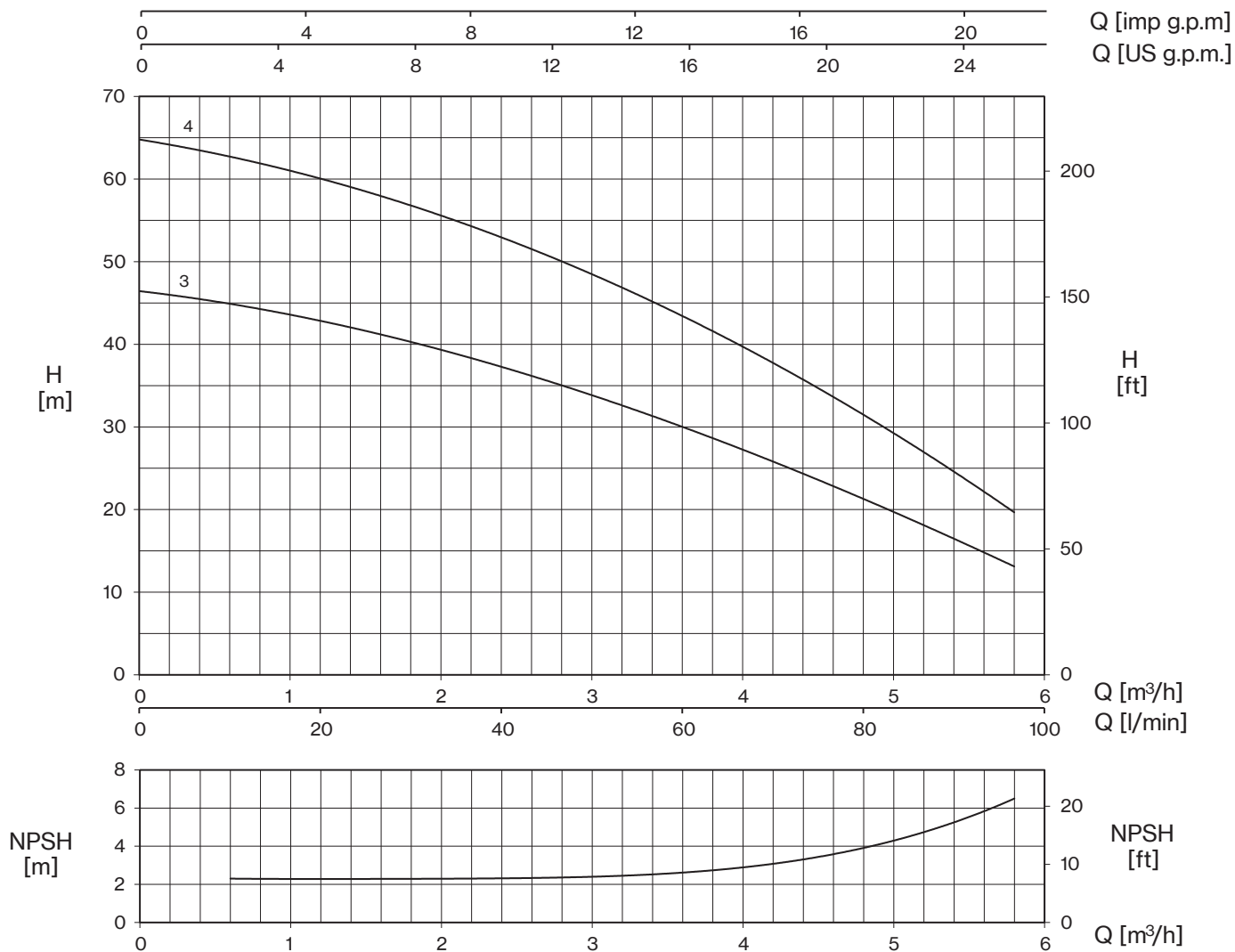
1- 110V - 60Hz	
TYPE	I (A)
U 3SA-80/3	9,8
U 3SA-120/4	11,8
U 5SA-120/3	13

U 3 S A - 120 / 4 T



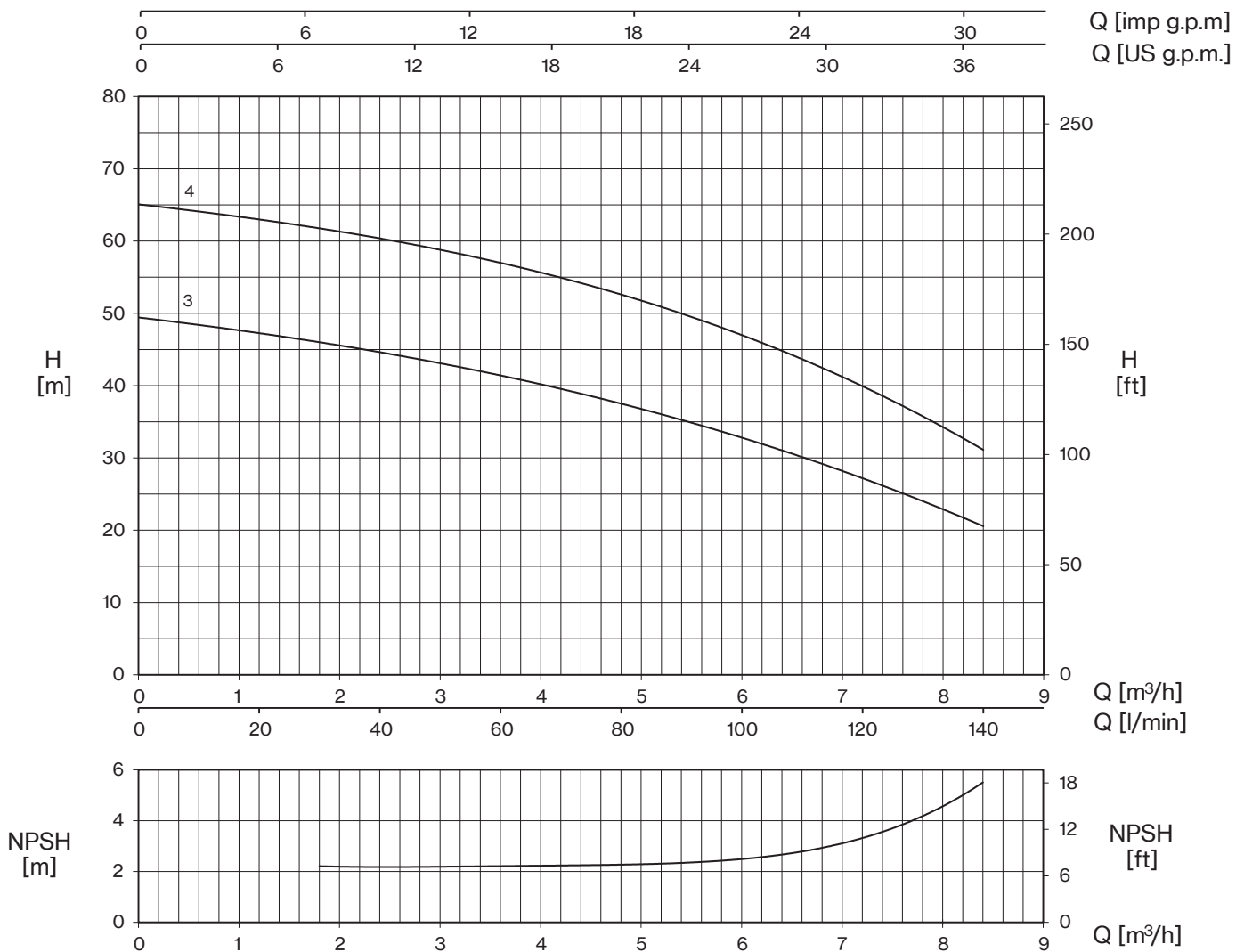
TYPE	LOTS			
	TRUCK		CONTAINER	
	PALLET (cm)	N° pumps	PALLET (cm)	N° pumps
U 3SA-80/3	85x110x160	70	85x110x185	80
U 3SA-120/4	80x120x150	42	80x120x175	49
U 5SA-120/3	80x120x150	42	80x120x175	49
U 5SA-180/4	80x120x150	42	80x120x175	49





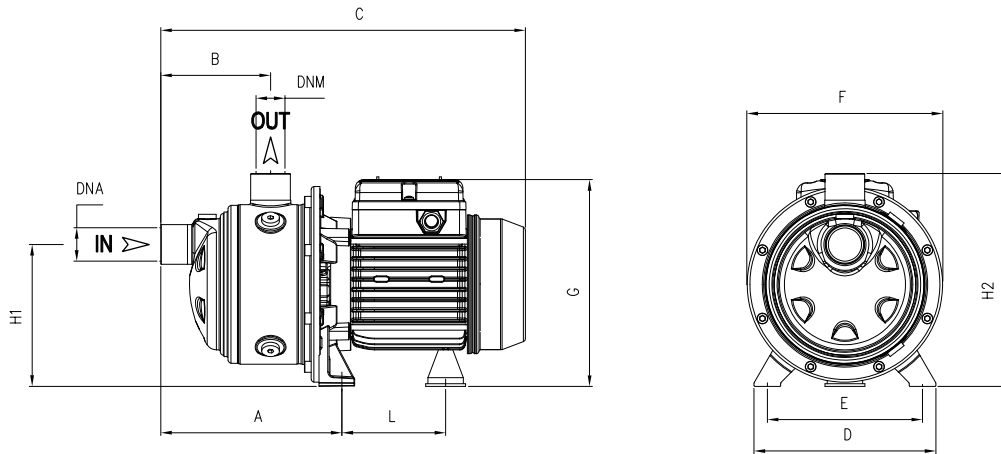
TYPE - 60 Hz		P2		P1		CURRENT		Q (m³/h - l/min)						
1~	3~			1~	3~	1~ 220V	3~ 380V	0	0,6	1,2	2,4	3,6	4,8	5,8
		HP	kW	kW		A		0	10	20	40	60	80	96,7
		H (m)												
U 3SA-80/3	U 3SA-80/3T	0,8	0,6	1	0,9	4,9	1,7	46,3	45,1	42,9	37,2	29,8	21,6	13,0
U 3SA-120/4	U 3SA-120/4T	1,2	0,9	1,25	1,2	5,9	2,5	64,6	62,9	60,3	52,7	43,2	31,9	19,5

ULTRA 5SA



TYPE - 60 Hz		P2		P1		CURRENT		Q (m³/h - l/min)							
1~	3~			1~	3~	1~	3~	0	1,8	2,4	3,6	4,8	6	7,2	8,4
		HP	kW	kW		A		H (m)							
						220V	380V	0	30	40	60	80	100	120	140
U 5SA-120/3	U 5SA-120/3T	1,2	0,9	1,4	1,35	6,5	2,7	49,4	46,1	44,6	41,4	37,4	32,8	27,3	20,5
U 5SA-180/4	U 5SA-180/4T	1,8	1,3	1,9	1,75	9	3,3	65,0	62,0	60,4	56,8	52,4	47,1	40,1	31,0





TYPE		DIMENSIONS (mm)											Kg	
1-	3-	A	B	C	D	E	F	G	L	H1	H2	DNA		DNM
U 3SA-80/3	U 3SA-80/3T	214,8	151	404	164	140	178	203	104,7	128	192	1" G	1" G	11
U 3SA-120/4	U 3SA-120/4T	238,8	175	428	164	140	178	203	104,7	128	192			12,5
U 5SA-120/3	U 5SA-120/3T	214,8	151	404	164	140	178	203	104,7	128	192			12
U 5SA-180/4	U 5SA-180/4T	238,8	175	489	164	140	201	211	128,2	134	198			16