



High-flow self-priming vertical pool pumps at 4 poles up to 10 HP ideal for quiet operation and larger filtration. Cathaphoresis painting, pre-filter in AISI316 and pump body in polypropylene with glass fiber give a remarkable resistance to corrosion. In addition, a large support base make the whole system particularly robust.



Bronze impeller on request

Construction features

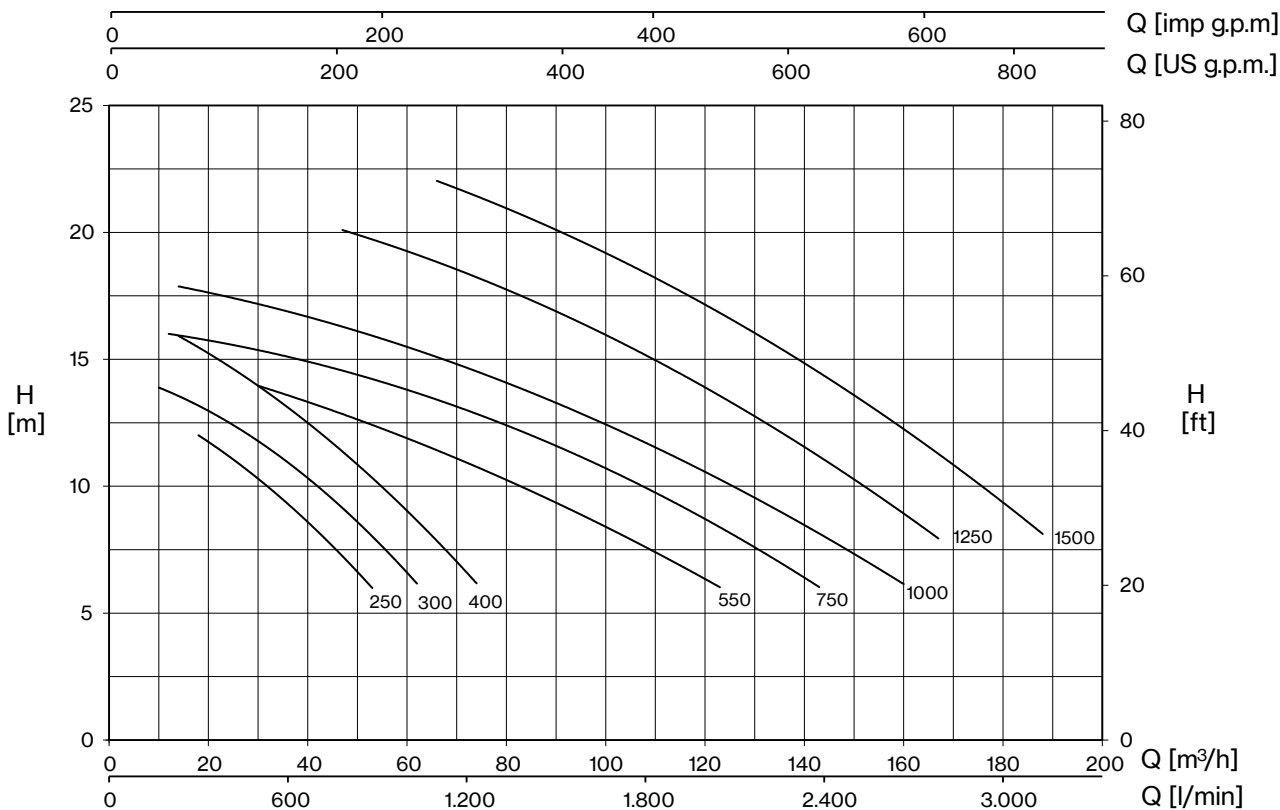
Painting	cataphoresis
Pump body, seal housing, diffuser	polypropylene + fiberglass
Motor bracket	aluminum
Impeller	Noryl®, marine bronze on request
Mechanical seal	ceramic-graphite-AISI 316
Motor shaft	stainless steel AISI 316
Liquid temperature	max 40 °C
Pre-filter	stainless steel AISI 316L

Motor

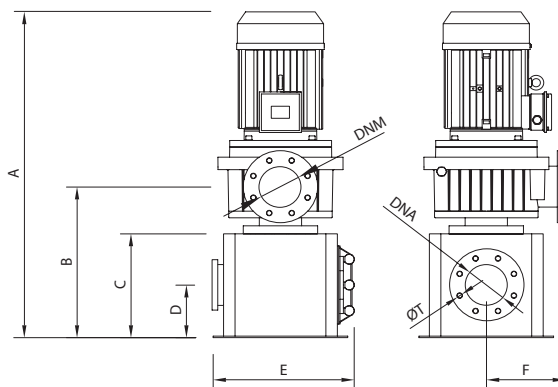
4 or 2 poles induction motor	3~ 230V/400V - 50Hz 3~ 400V/690V - 50Hz
Insulation class	F
Protection degree	IP55



V-POOL4



TYPE - 50 Hz	P2		CURRENT		rpm	H (m)											Minimum size of suction pipe	
			3- 230V	3- 400V		6	8	10	12	14	16	18	20	22				
	HP	kW	A			Q (m³/h)												
V-POOL4 4-250	2,5	1,8	8,5	4,9	1450	53	43	32	18									110
V-POOL4 4-300	3	2,2	9,4	5,3	1450	62	54	43	26	10								125
V-POOL4 4-400	4	3	12,5	6,9	1450	74	66	56	42	29	14							140
V-POOL4 4-550	5,5	4	15,3	8,8	1450	123	104	84	57	30								160
V-POOL4 4-750	7,5	5,5	-	12	1450	143	127	107	85	57	12							180
V-POOL4 4-1000	10	7,5	-	15,8	1450	160	145	126	107	80	48	14						180
V-POOL4 2-1250	12,5	9,2	-	18,5	2850		167	152	136	118	99	80	47					180
V-POOL4 2-1500	15	11	-	20,9	2850		188	177	162	146	130	112	92	66				200



TYPE	DIMENSIONS (mm)							H1 A1 L1			Kg		
	A	B	C	D	E	F	DNA	DNM	ØT	A1		H1	L1
V-POOL4 4-250	903	503	338	169	410	325	125	100	16	700	923	840	85
V-POOL4 4-300	903	503	338	169	410	325				700	923	840	85,5
V-POOL4 4-400	903	503	338	169	410	325				700	923	840	87,5
V-POOL4 4-550	923	503	338	169	410	325				700	943	1170	96,5
V-POOL4 4-750	923	503	338	169	410	325				700	943	1170	109
V-POOL4 4-1000	923	503	338	169	410	325				700	943	1170	119
V-POOL4 2-1250	923	503	338	169	410	325				700	943	1170	127,5
V-POOL4 2-1500	923	503	338	169	410	325				700	943	1170	128,5

