

POOL2-IM

Swimming Pool



POOL2 300M pump with permanent magnets synchronous motor and variable speed drive. The combination of these two innovative technologies, assure IE5 efficiency and energy savings up to 80%. The system allows the programming of 4 daily filtration cycles with different operating speed for each cycle. In installations with several pumps they automatically communicate and alternate to work the same amount of hours.



Variable speed drive

Construction features

Painting	cataphoresis
Pump body, seal housing, diffuser	polypropylene + fiberglass
Motor bracket	aluminum
Impeller	Noryl®
Mechanical seal	ceramic-graphite-AISI 316
Motor shaft	stainless steel AISI 316
Liquid temperature	max 40 °C
Pre-filter cover	polycarbonate
Opening key for pre-filter lid	polypropylene

VSD

Power supply 1~ 230V - 50Hz

Motor

2 poles induction motor 3~ 230V - 50Hz

Insulation class F

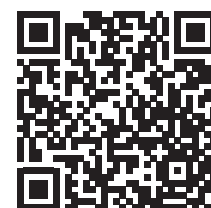
Protection degree IP55

Construction permanent magnets

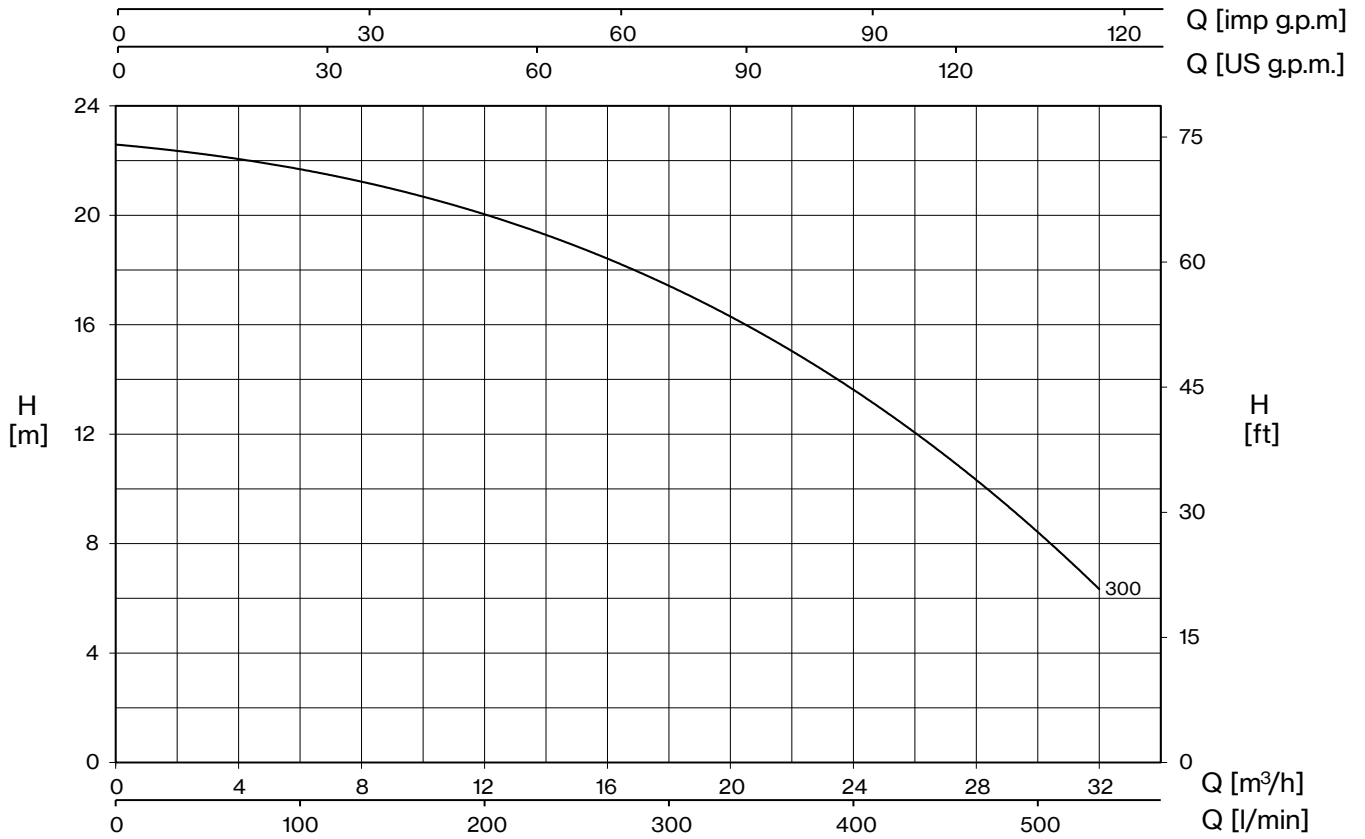
UP TO
80%
ENERGY SAVING

efficiency class

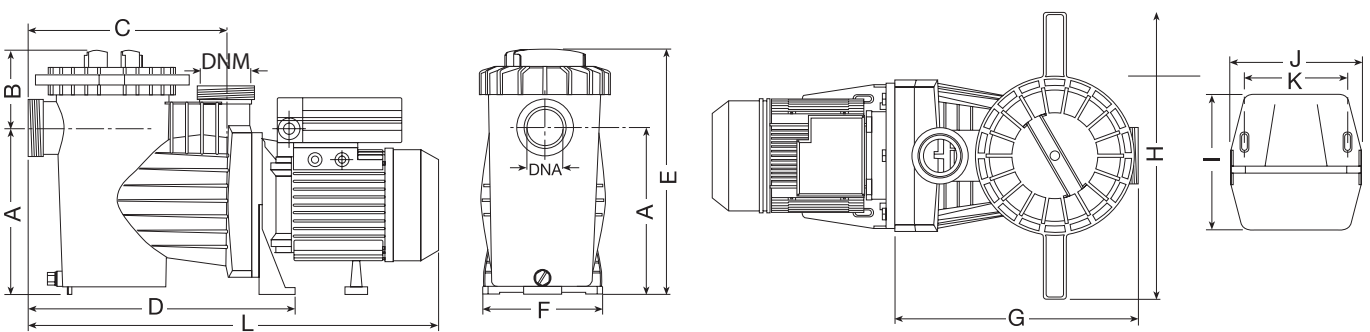
IE5



POOL2-IM



TYPE - 50 Hz	P2		CURRENT	H (m)							
				6	8	10	12	14	16	18	21
1~	HP	kW	230V A	Q (m³/h)							
POOL2-IM 300M	3	2,2	8,6	32,0	30,0	29,0	27,0	23,0	20,0	15,0	12,0



TYPE	DIMENSIONS (mm)																	Kg
	A	B	C	D	E	F	G	H	I	J	K	L	DNA	DNM	L1	A1	H1	
POOL2-IM 300M	216	109	265	370	325	206	325	400	220	205	160	630	2" Ø 63 PVC		705	230	360	22

