



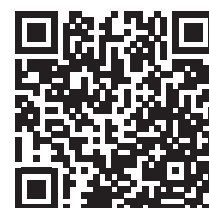
Pumps ideal for counter-current swimming, water parks, fountains, waterfalls, etc. The pump body in polypropylene reinforced with glass fiber allows to resist the chemicals of the pools and guarantee excellent durability.

Construction features

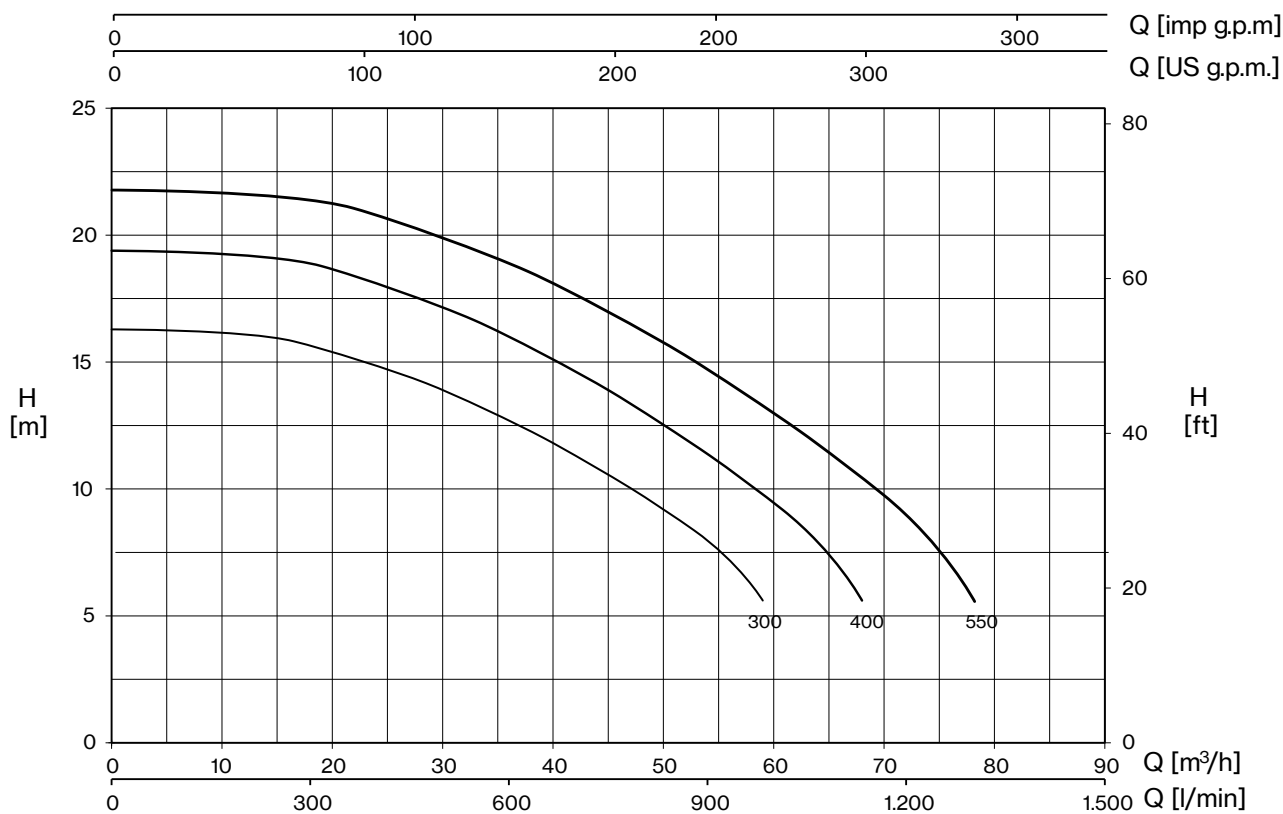
Painting	cataphoresis
Pump body, seal housing, diffuser	polypropylene + fiberglass
Motor bracket	aluminum
Impeller	Noryl®, marine bronze on request
Mechanical seal	ceramic-graphite-AISI 316
Motor shaft	stainless steel AISI 316
Liquid temperature	max 40 °C

Motor

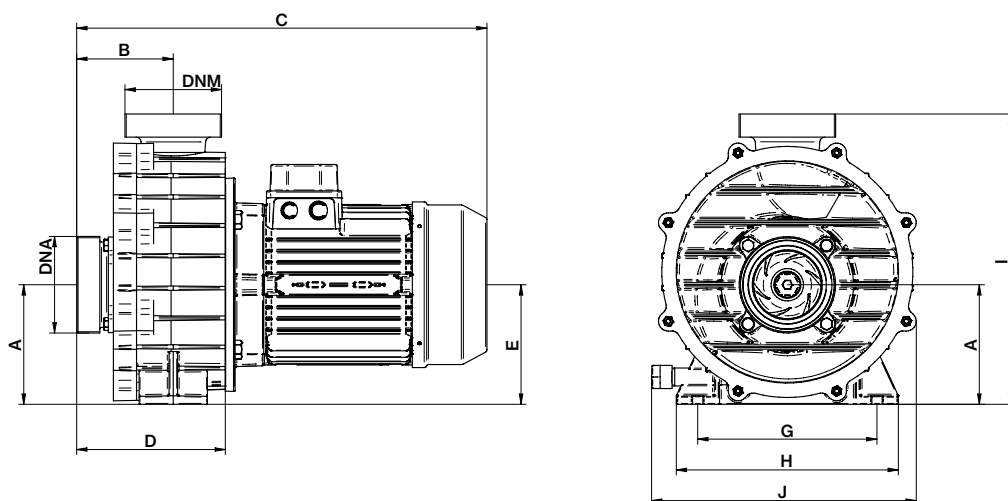
2 poles induction motor	1~ 230V - 50Hz 3~ 230/400V - 50Hz
Insulation class	F
Protection degree	IP55



POOL5



TYPE - 50 Hz		P2		CURRENT			H (m)						
1-	3-	HP	kW	1- 230V	3- 230V	3- 400V	6	8	10	12	14	16	18
				A			Q (m³/h)						
POOL5 300M	POOL5 300T	3	2,2	16	9,4	5,3	59,0	54,0	47,0	39,0	28,0	16,0	
-	POOL5 400T	4	3	-	12,5	6,9	68,0	63,0	58,0	52,0	45,0	36,0	23,0
-	POOL5 550T	5,5	4	-	-	8,8	78,0	74,0	70,0	65,0	59,0	50,0	39,0



TYPE		DIMENSIONS (mm)										DNA	DNM	Kg
1-	3-	A	B	C	D	E	G	H	I	J				
POOL5 300M	POOL5 300T	140	113	480	174	140	210	260	420	310	3" Ø 90 PVC	23		
-	POOL5 400T	140	113	480	174	140	210	260	420	310		28		
-	POOL5 550T	140	113	480	174	140	210	260	420	310		37		

