



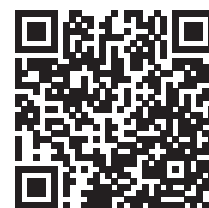
Pump ideal for countercurrent swimming installation and can be used in water parks, fountains, waterfalls, etc. The pump body in polypropylene reinforced with glass fiber allows it to resist the chemicals of the pools and guarantee excellent durability.

### Construction features

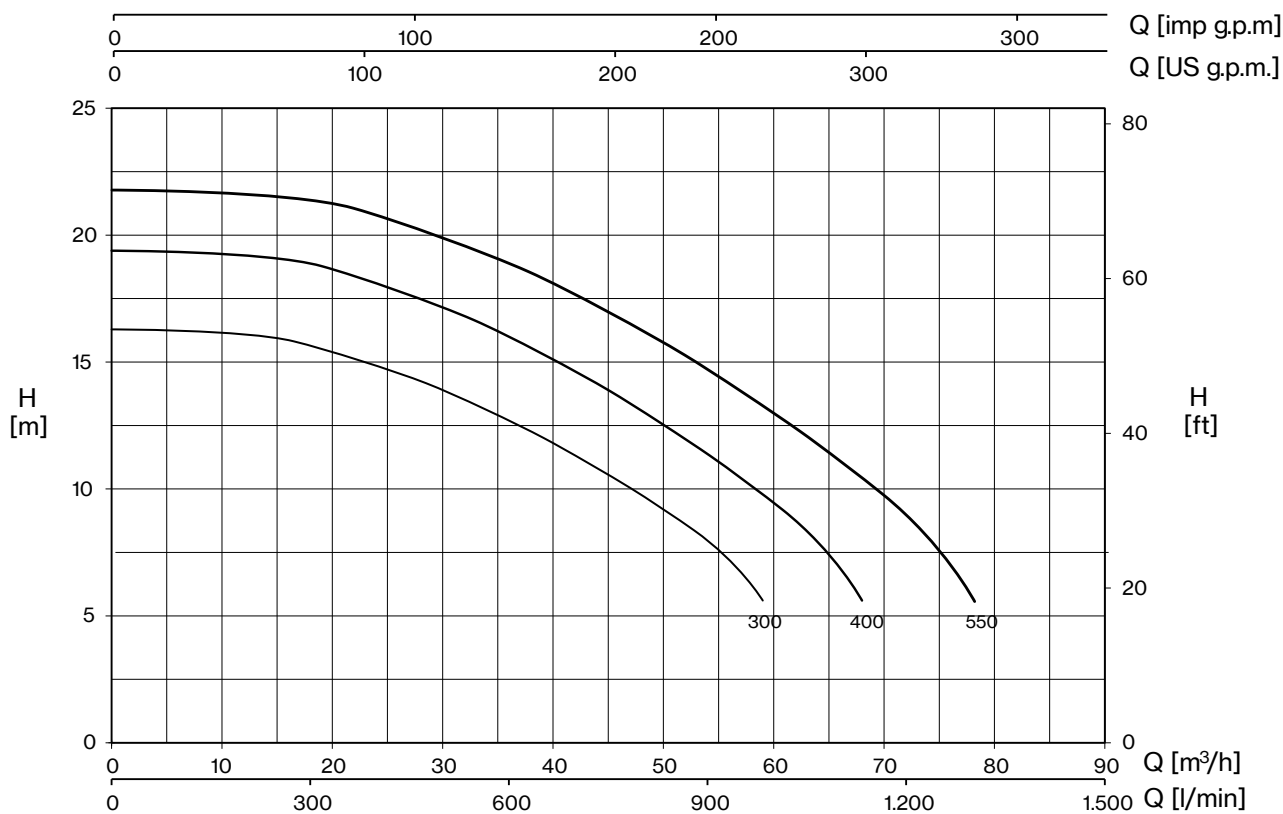
<b>Painting</b>	cataphoresis
<b>Pump body, seal housing, diffuser</b>	polypropylene + fiberglass
<b>Motor bracket</b>	aluminum
<b>Impeller</b>	Noryl®, marine bronze on request
<b>Mechanical seal</b>	ceramic-graphite-AISI 316
<b>Motor shaft</b>	stainless steel AISI 316
<b>Liquid temperature</b>	max 40 °C

### Motor

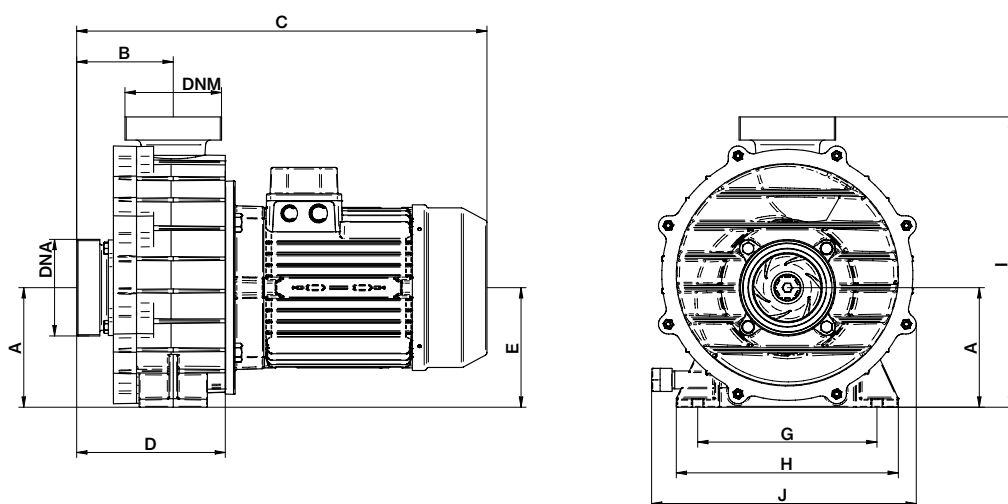
	1~ 220V - 60Hz
<b>2 poles induction motor</b>	3~ 220/380V - 60Hz
<b>Insulation class</b>	F
<b>Protection degree</b>	IP55



# POOL5



TYPE - 60 Hz		P2		AMPERE			H (m)						
1~	3~	HP	kW	1- 220V	3- 220V	3- 380V	6	8	10	12	14	16	18
				A			Q (m³/h)						
POOL5 300M	POOL5 300T	3	2,2	16	9,4	5,3	59,0	54,0	47,0	39,0	28,0	16,0	
	POOL5 400T	4	3	-	12,5	6,9	68,0	63,0	58,0	52,0	45,0	36,0	23,0
	POOL5 550T	5,5	4	-	-	8,8	78,0	74,0	70,0	65,0	59,0	50,0	39,0



TYPE		DIMENSIONS (mm)										kg		
1~	3~	A	B	C	D	E	G	H	I	J	DNA	DNM	1~	3~
POOL5 300M	POOL5 300T	140	113	480	174	140	210	260	420	310	3" Ø 90 PVC		23	23
-	POOL5 400T	140	113	480	174	140	210	260	420	310			-	28
-	POOL5 550T	140	113	480	174	140	210	260	420	310			-	37

