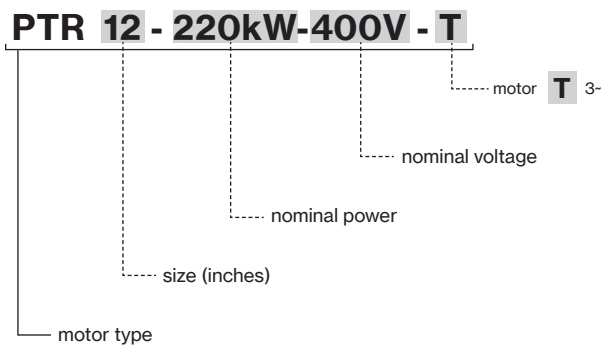


PTR12/PTR14

12" - 14" submersible rewindable water-filled motors. Power from 185 kW up to 400 kW. Standard PE2+PA winding insulation class for temperature up to 30°C.

Construction features

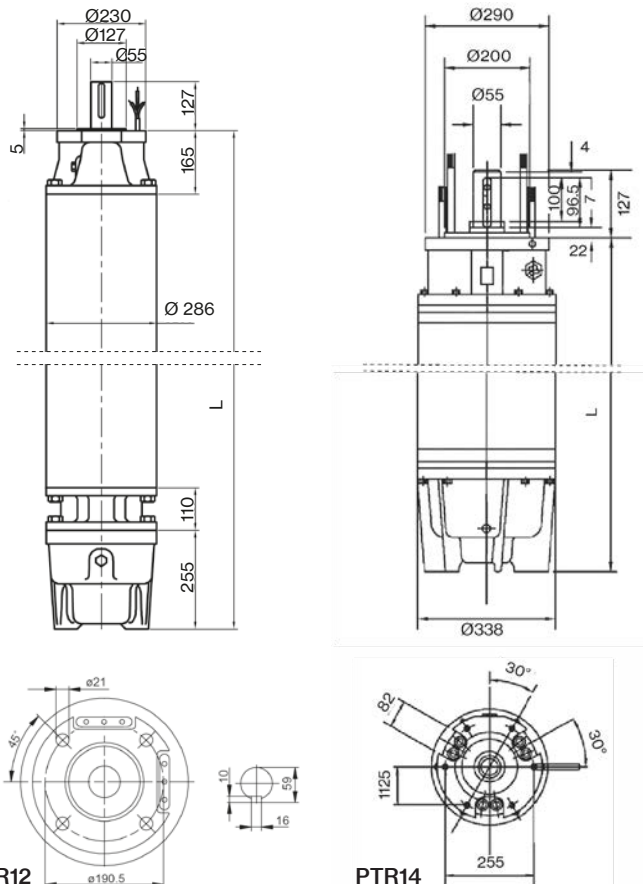
Upper and bottom support	GG25 or stainless steel AISI 316
Stator sleeve	stainless steel AISI 316
Shaft end	stainless steel
Mechanical seal	SIC / SIC / NBR
Bearings	steel / NBR
Voltage	3- 380-400V - 50Hz
Cooling flow	min 0,5 m/s
Insulation class	F
Insulation	PE2 + PA
Protection degree	IP68
Available on demand	<ul style="list-style-type: none"> - Full motor in AISI 316 - Full motor in AISI 904 - PT 100 - Star/Delta starting - Cooling Sleeve - Clockwise rotation



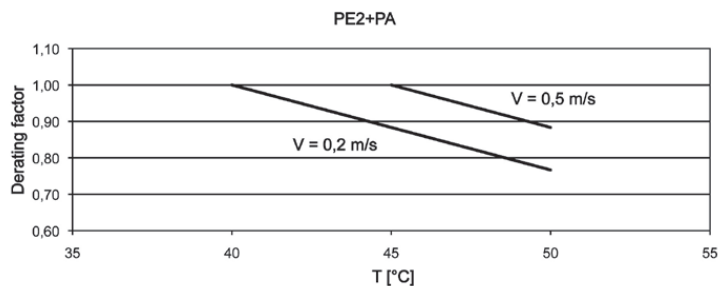
PTR12/PTR14

TYPE 3- 400V	V	P ₂		I _N	I _s /I _N	P ₁	rpm	Efficiency	Cos Φ	CABLE	
		HP	kW							A	Lenght m
PTR12 - 220kW	400	300	220	424	6,1	250	2920	88	0,85	8	3×70+1×50
PTR12 - 250kW	400	340	250	481	5,9	284	2920	88	0,85		3×70+1×50
PTR14 - 294kW	380	400	300	551	5,8	327	2900	90	0,9	8	3×95+1×50
PTR14 - 330kW	380	450	330	620	6	367	2900	90	0,9		3×95+1×50
PTR14 - 367kW	380	500	370	693	6,4	406	2900	90,5	0,89		3×95+1×50
PTR14 - 404kW	380	550	400	798	6,8	446	2900	90,5	0,85		3×95+1×50

TYPE	DIMENSIONS				Kg
	Power		Axial load N	L mm	
	HP	kW			
PTR12 - 220kW	300	220	70000	2110	700
PTR12 - 250kW	340	250		2280	775
PTR14 - 294kW	400	300	70000	2020	845
PTR14 - 330kW	450	330		2160	906
PTR14 - 367kW	500	370		2320	1010
PTR14 - 404kW	550	400		2460	1105

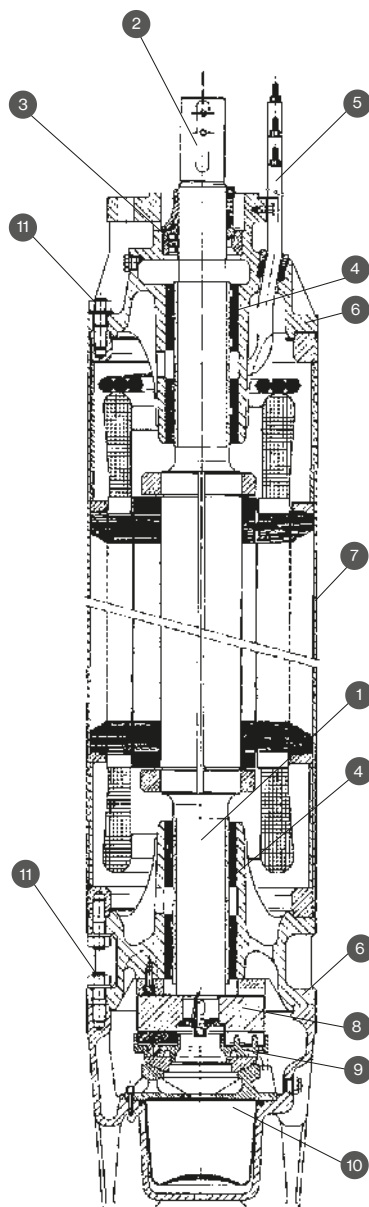


POWER DERATING AT DIFFERENT LIQUID TEMPERATURE



The graph above does not include the PTR12 220kW, 250kW and 300kW models. The maximum temperature is 10° C for models PTR12 220kW and 250kW, 25° C for PTR12 300kW.





N.	PARTS	STD VERSION	VERSION 316 SS	VERSION 904 SS
1	SHAFT	STAINLESS STEEL	STAINLESS STEEL	STAINLESS STEEL
2	SHAFT TERMINAL	AISI 316	AISI 316	AISI 904
3	MECHANICAL SEAL	CERAMIC/CARBON	SIC/SIC	SIC/SIC
4	BUSHES	STEEL/NBR	STEEL/NBR	STEEL/NBR
5	CABLE	EPDM	EPDM	EPDM
6	STRUCTURAL PARTS	CAST IRON	AISI 316	AISI 904
7	JACKET	AISI 316	AISI 316	AISI 904
8	THRUST PLATE	STEEL	STEEL	STEEL
9	THRUST BEARING	STEEL/NBR	STEEL/NBR	STEEL/NBR
10	DIAPHRAGM	EPDM	EPDM	EPDM
11	SCREWS	AISI 304	AISI 316	AISI 904