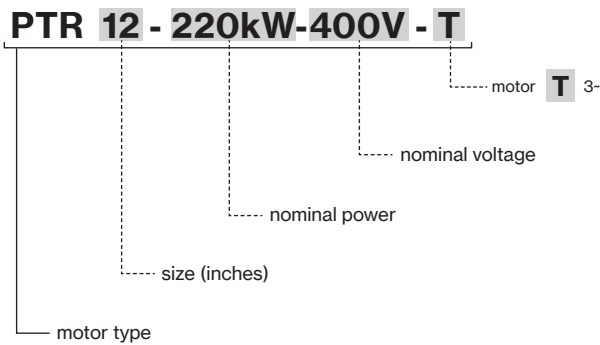


# PTR12-PTR14

12" - 14" rewindable submersible water-filled motors. Power from 185 kW up to 400 kW. It is available with DOL or STAR-DELTA starting type. Standard PE2+PA winding, for temperatures up to 30°C.

## Construction features

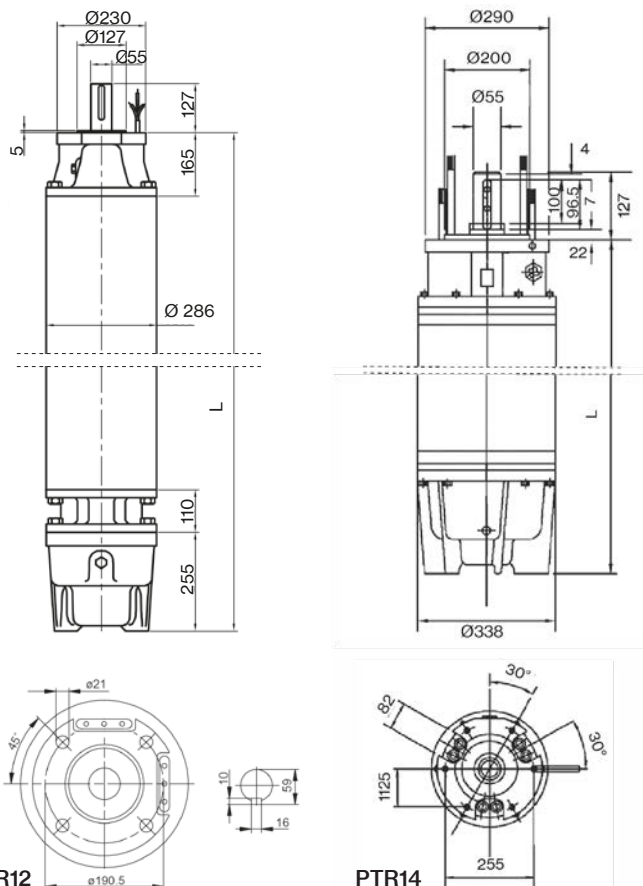
|                                 |   |
|---------------------------------|---|
| <b>Upper and bottom support</b> | GG25 or stainless steel AISI 316  |
| <b>Stator sleeve</b>            | stainless steel AISI 316  |
| <b>Shaft end</b>                | stainless steel   |
| <b>Mechanical seal</b>          | SIC / SIC / NBR   |
| <b>Bearings</b>                 | steel / NBR   |
| <b>Voltage</b>                  | 3- 380-460V - 60Hz  |
| <b>Cooling flow</b>             | min 0,5 m/s   |
| <b>Insulation class</b>         | F   |
| <b>Insulation</b>               | PE2 + PA  |
| <b>Protection degree</b>        | IP68  |
| <b>Available on demand</b>      | <ul style="list-style-type: none"> <li>- Full motor in AISI 316</li> <li>- Full motor in AISI 904</li> <li>- PT 100</li> <li>- Star/Delta starting</li> <li>- Cooling Sleeve</li> <li>- Clockwise rotation</li> </ul> |



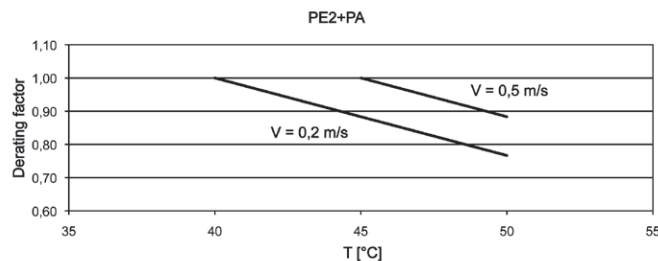
# PTR12/PTR14

| TYPE<br>3- 380V | V   | P <sub>2</sub> |     | I <sub>N</sub><br>A | I <sub>s</sub> /I <sub>N</sub> | P <sub>1</sub><br>kW | rpm  | Efficiency<br>% | Cos φ | CABLE       |                         |
|-----------------|-----|----------------|-----|---------------------|--------------------------------|----------------------|------|-----------------|-------|-------------|-------------------------|
|                 |     | HP             | kW  |                     |                                |                      |      |                 |       | Lenght<br>m | Size<br>mm <sup>2</sup> |
| PTR12 - 220kW   | 460 | 300            | 220 | 452                 | 6,41                           | 306                  | 3525 | 87,9            | 0,85  | 8           | 4x70                    |
| PTR12 - 250kW   | 460 | 340            | 250 | 510                 | 6,82                           | 345                  | 3525 | 88              | 0,85  |             | 4x70                    |
| PTR14 - 294kW   | 460 | 400            | 300 | 595                 | 6,00                           | 389                  | 3540 | 89              | 0,82  |             | 3x70+1x50               |
| PTR14 - 330kW   | 460 | 450            | 330 | 645                 | 6,00                           | 427                  | 3545 | 90              | 0,83  |             | 3x70+1x50               |
| PTR14 - 367kW   | 460 | 500            | 370 | 725                 | 6,50                           | 480                  | 3550 | 90              | 0,83  |             | 3x70+1x50               |
| PTR14 - 404kW   | 460 | 550            | 400 | 750                 | 6,50                           | 520                  | 3540 | 90              | 0,87  |             | 3x70+1x50               |

| TYPE          | DIMENSIONS |     |                 |         | Kg   |
|---------------|------------|-----|-----------------|---------|------|
|               | Power      |     | Axial load<br>N | L<br>mm |      |
|               | HP         | kW  |                 |         |      |
| PTR12 - 220kW | 300        | 220 | 70000           | 2110    | 700  |
| PTR12 - 250kW | 340        | 250 |                 | 2280    | 775  |
| PTR14 - 294kW | 400        | 300 | 70000           | 2020    | 845  |
| PTR14 - 330kW | 450        | 330 |                 | 2160    | 906  |
| PTR14 - 367kW | 500        | 370 |                 | 2320    | 1010 |
| PTR14 - 404kW | 550        | 400 |                 | 2460    | 1105 |

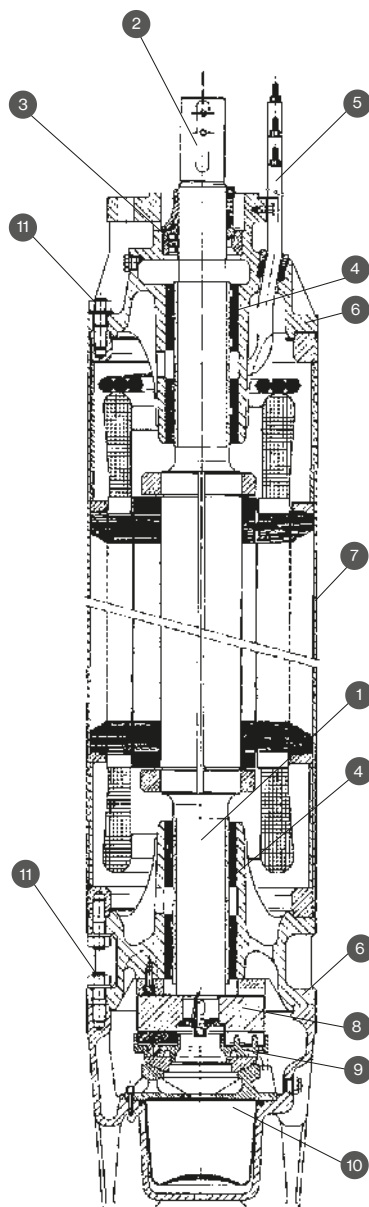


## POWER DERATING AT DIFFERENT LIQUID TEMPERATURE



For PTR12 versions the maximum liquid temperature is 10 °C lower than that indicated in the graph.





| N. | PARTS                   | STD VERSION     | VERSION 316 SS  | VERSION 904 SS  |
|----|-------------------------|-----------------|-----------------|-----------------|
| 1  | <b>SHAFT</b>            | STAINLESS STEEL | STAINLESS STEEL | STAINLESS STEEL |
| 2  | <b>SHAFT TERMINAL</b>   | AISI 316        | AISI 316        | AISI 904        |
| 3  | <b>MECHANICAL SEAL</b>  | CERAMIC/CARBON  | SIC/SIC         | SIC/SIC         |
| 4  | <b>BUSHES</b>           | STEEL/NBR       | STEEL/NBR       | STEEL/NBR       |
| 5  | <b>CABLE</b>            | EPDM            | EPDM            | EPDM            |
| 6  | <b>STRUCTURAL PARTS</b> | CAST IRON       | AISI 316        | AISI 904        |
| 7  | <b>JACKET</b>           | AISI 316        | AISI 316        | AISI 904        |
| 8  | <b>THRUST PLATE</b>     | STEEL           | STEEL           | STEEL           |
| 9  | <b>THRUST BEARING</b>   | STEEL/NBR       | STEEL/NBR       | STEEL/NBR       |
| 10 | <b>DIAPHRAGM</b>        | EPDM            | EPDM            | EPDM            |
| 11 | <b>SCREWS</b>           | AISI 304        | AISI 316        | AISI 904        |