

ULTRA HX

Multistage Vertical

Stainless steel multistage vertical pumps. Suitable for clean non-loaded fluids, pressurizing system, irrigation, drinking and glycol water, water treatment, food industry, heating and air conditioning, washing system.

Construction features

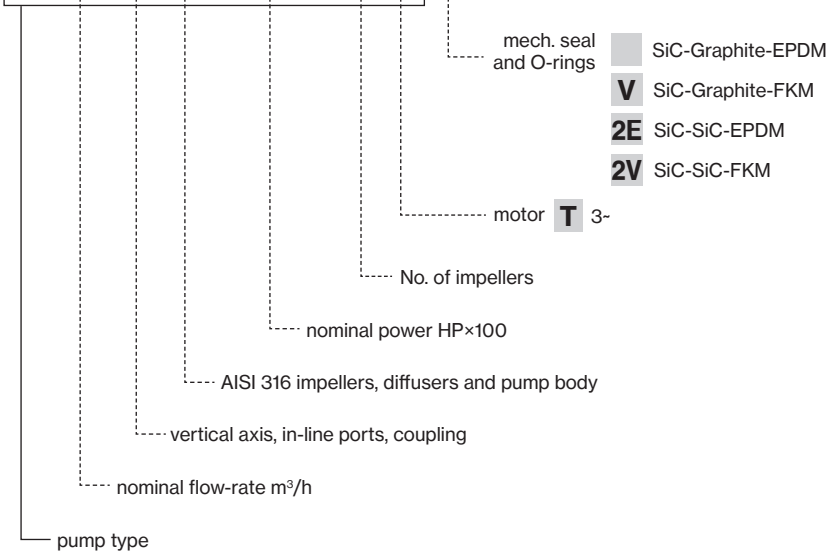
Pump body	EN 1.4401 / AISI 316
Motor bracket	cast iron
Seal Plate Housing	EN 1.4401 / AISI 316
Impellers, diffusers, shell, pump shaft	EN 1.4401 / AISI 316
Mechanical seal	silicon carbide-graphite-EPDM
Intermediate bush	tungsten carbide
Ambient temperature	max 40° C
Liquid temperature	-15 ÷ +120 °C (Max 85° for domestic use)
Max operating pressure	26 bar
Pump body gasket	EPDM

Motor

2 poles induction motor	3- 220/380V - 60Hz P 4kW, size B14 V1
	3- 380/660V - 60Hz P > 4kW, size B5 V1
	IE3 efficiency class
Insulation class	F
Protection degree	IP55



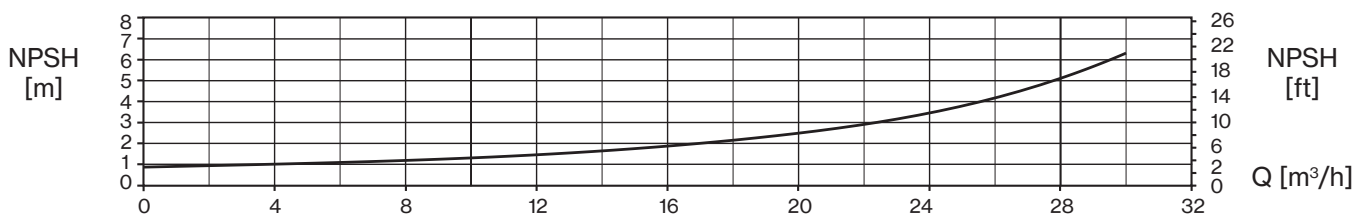
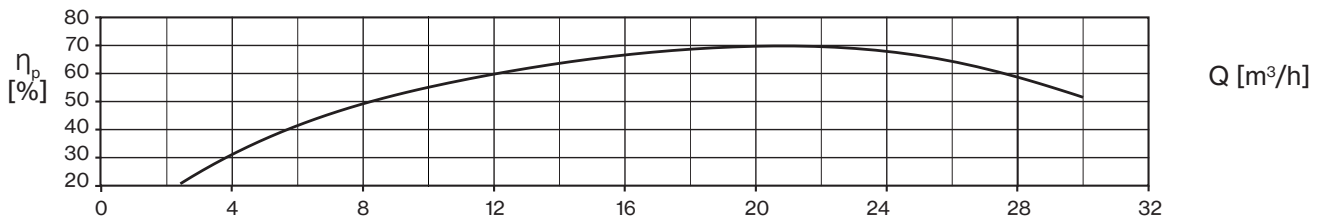
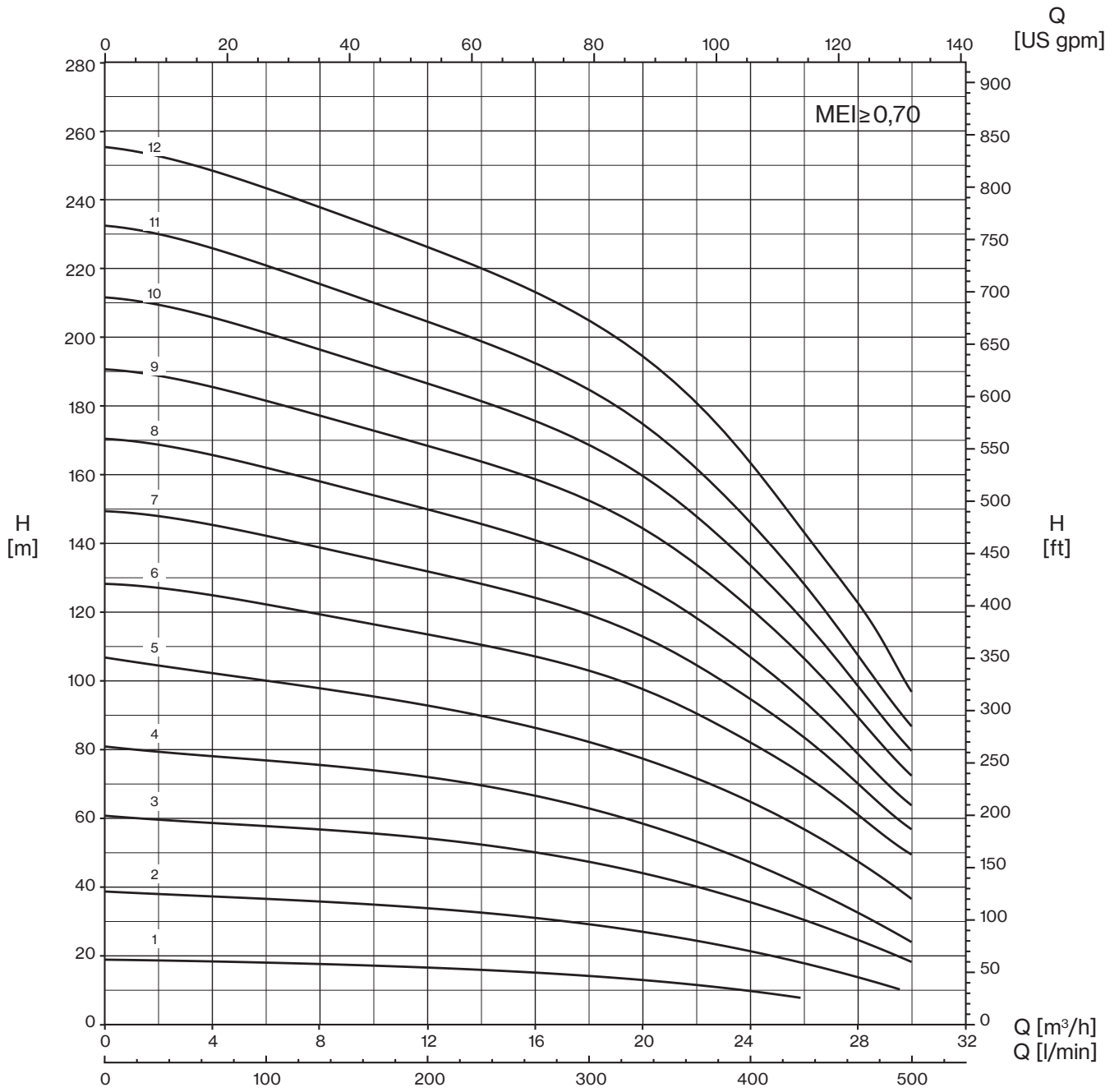
U 18 H X - 200 / 1 T -2



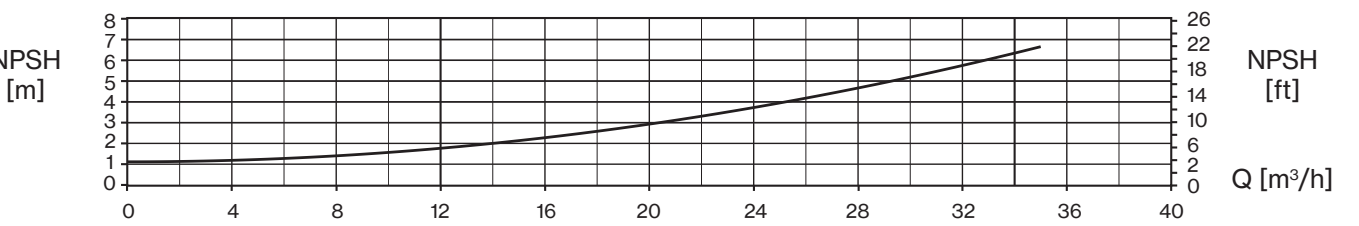
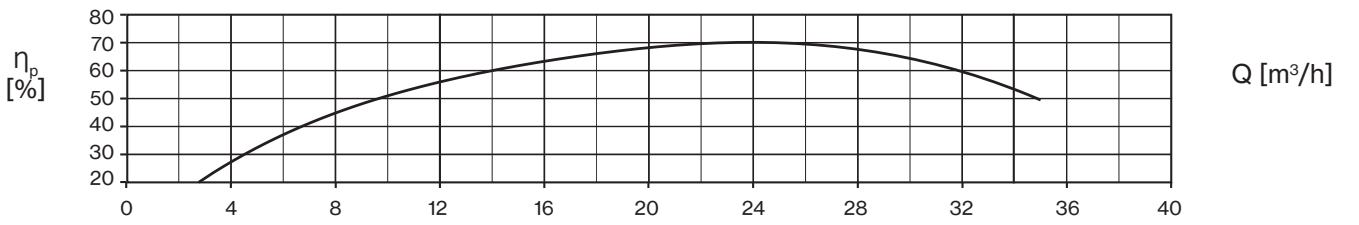
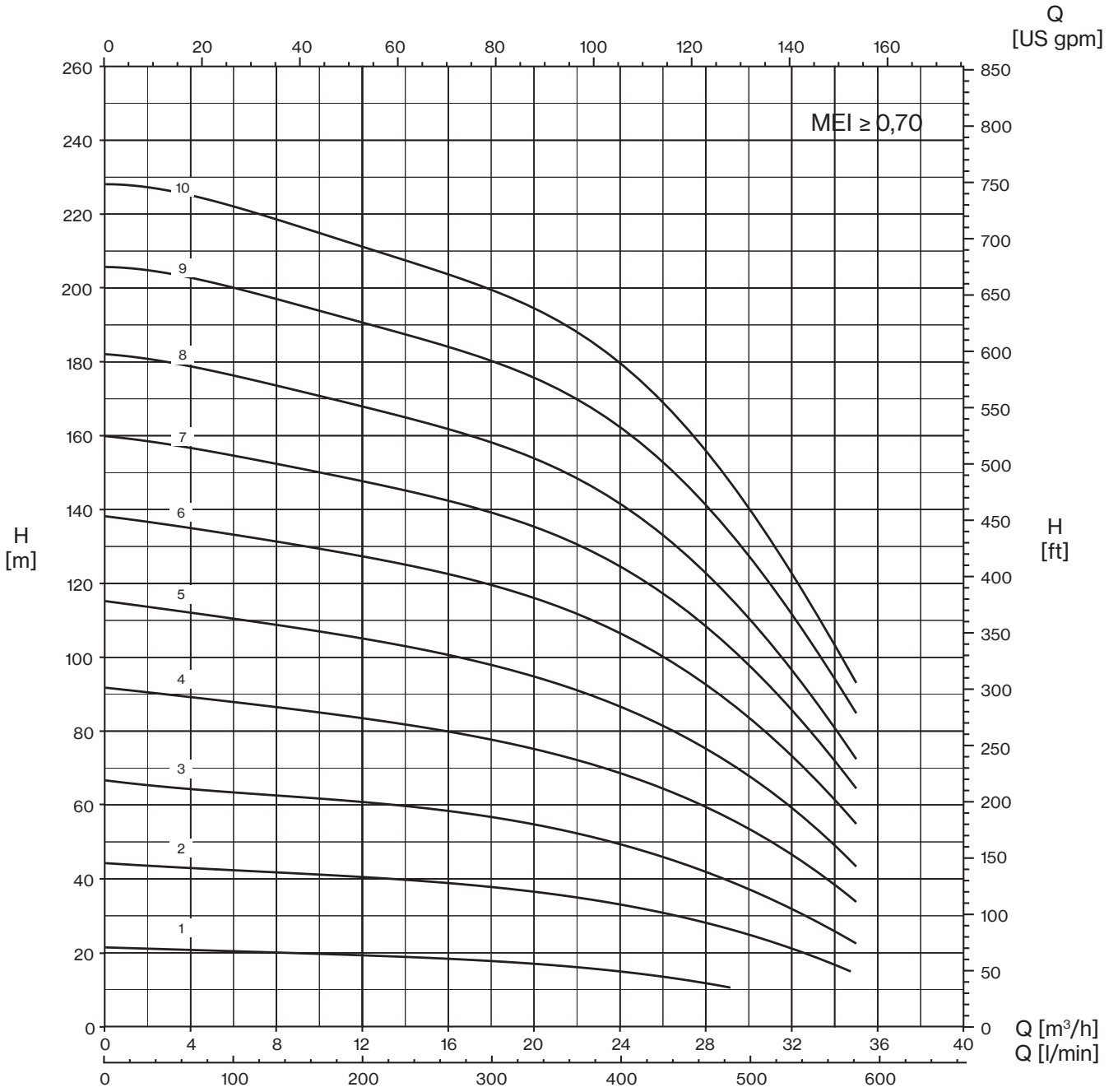
ULTRA 18-22 HX

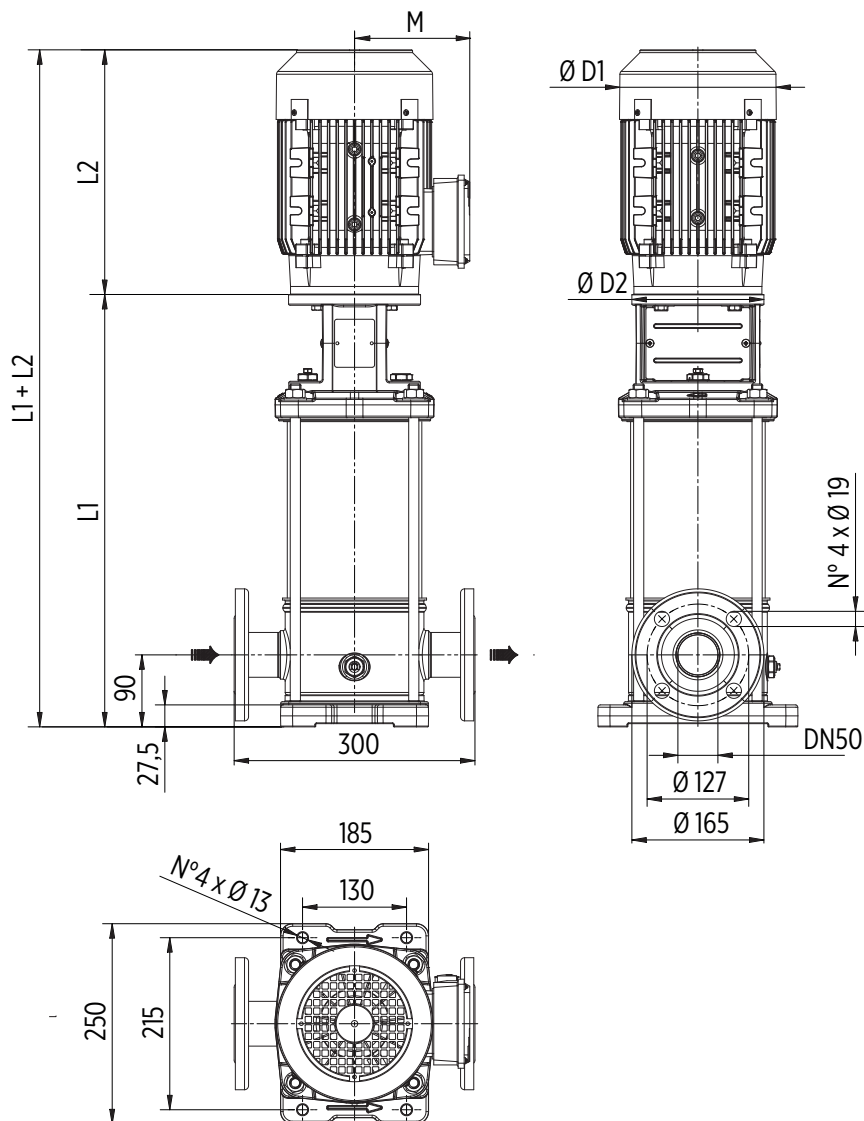
TYPE - 60 Hz		Q (l/min - m ³ /h - US gpm)													
3-	P2		0	166,7	200,0	233,3	283,3	333,3	383,3	433,3	466,7	516,7	566,7		
			0	10	12	14	17	20	23	26	28	31	34		
			0	44,0	52,8	61,6	74,7	87,9	101,1	114,3	123,1	136,3	149,5		
HP		kW		H (m)											
U 18HX-200/1T	2	1,5	18,8	17,1	16,7	16,0	14,8	13,0	10,7	7,7	-				
U 18HX-400/2T	4	3	38,6	34,9	33,9	32,4	30,4	27,2	23,0	17,6	13,7				
U 18HX-550/3T	5,5	4	60,3	55,4	54,1	52,0	49,0	44,5	38,4	30,1	24,3				
U 18HX-750/4T	7,5	5,5	80,3	73,7	71,9	69,1	65,1	59,1	50,9	39,9	32,1				
U 18HX-1000/5T	10	7,5	106,2	94,7	92,6	89,7	84,3	78,1	68,9	56,4	47,0				
U 18HX-1500/6T	15	11	128,3	116,4	113,9	110,6	104,8	97,9	86,7	72,4	61,1				
U 18HX-1500/7T	15	11	149,5	135,2	132,3	128,4	121,5	113,2	100,0	83,3	70,2				
U 18HX-1500/8T	15	11	170,6	153,9	150,4	145,8	137,8	128,2	113,0	93,9	78,9				
U 18HX-2000/9T	20	15	190,8	172,6	168,9	164,0	155,3	144,8	127,9	106,4	89,5				
U 18HX-2000/10T	20	15	211,7	191,3	187,1	181,6	171,8	160,0	141,2	117,3	98,5				
U 18HX-2000/11T	20	15	232,6	209,8	205,1	199,0	188,2	175,2	154,4	128,1	107,5				
U 18HX-2500/12T	25	18,5	255,3	231,7	226,8	220,4	208,8	194,9	172,5	143,9	121,3				
U 22HX-300/1T	3	2,2	20,7		18,6	18,4	17,5	16,5	14,9	12,8	11,0	11,3			
U 22HX-550/2T	5,5	4	43,5		39,8	39,1	37,8	36,2	33,6	30,3	27,5	22,3	16,2		
U 22HX-750/3T	7,5	5,5	65,7		60,1	58,8	56,9	54,5	50,7	45,9	41,4	33,6	24,6		
U 22HX-1000/4T	10	7,5	91,2		82,6	81,0	78,1	74,6	70,9	64,2	58,5	49,3	37,9		
U 22HX-1500/5T	15	11	114,7		104,2	102,2	98,6	94,2	89,7	81,4	74,3	62,8	48,6		
U 22HX-1500/6T	15	11	137,6		126,5	123,9	120,1	115,7	110,4	100,4	91,8	77,5	60,7		
U 22HX-2000/7T	20	15	159,5		147,1	144,1	139,9	135,0	129,0	117,5	107,5	90,9	71,4		
U 22HX-2000/8T	20	15	182,0		167,5	164,1	159,1	153,5	146,5	133,3	121,9	102,8	80,5		
U 22HX-2500/9T	25	18,5	206,0		190,5	186,8	181,4	175,1	167,6	153,1	140,3	119,0	93,9		
U 22HX-2500/10T	25	18,5	228,6		211,2	207,0	201,0	193,9	185,4	169,2	154,9	131,2	103,3		





ULTRA 22 HX

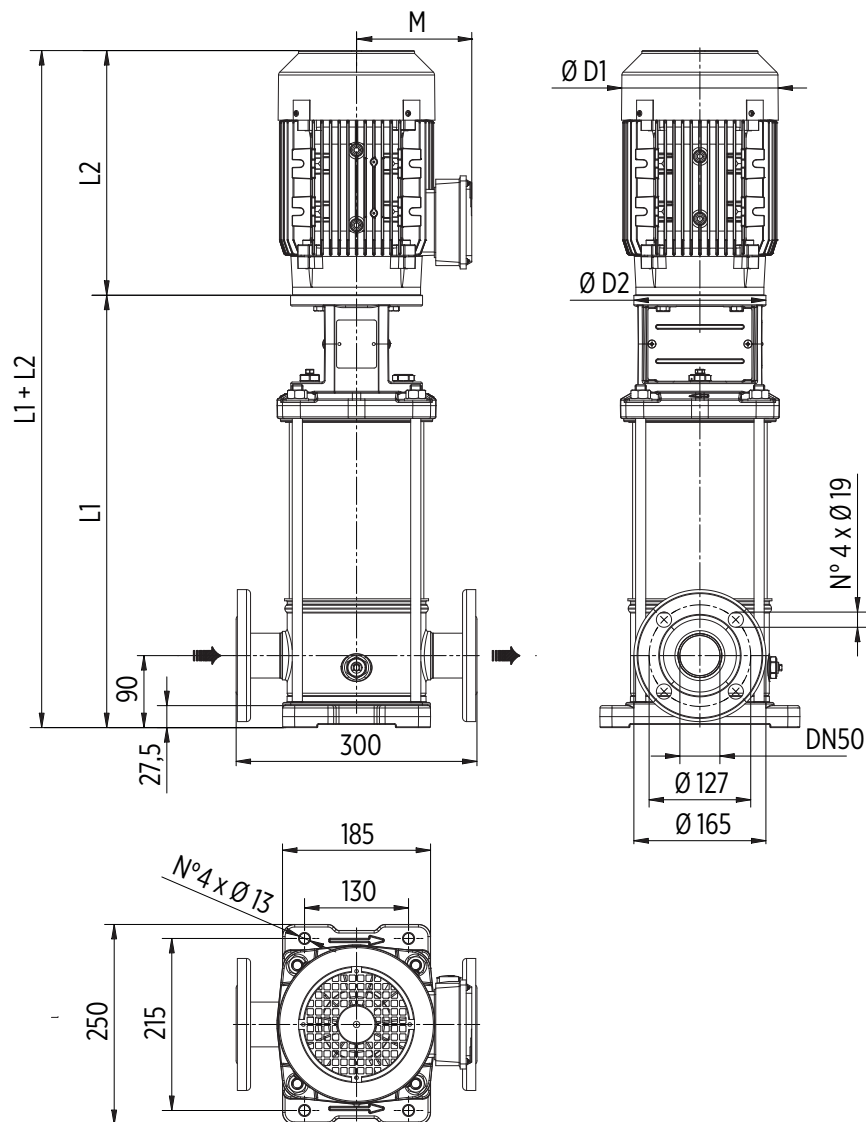




Round flanges on body type PN25/40: the pump is supplied without counterflanges (optional accessories, including bolts and joints)

TYPE	MOTOR		DIMENSIONS (mm)						Kg		
	kW	Dim	L1	L2	M	D1	D2	L1+L2	Pump	Motor	Electric Pump
U 18HX-200/1T	1,5	90	396	280	145	177	170	676	18,5	23	42
U 18HX-400/2T	3	100	396	333	157	205	170	729	20	35	55
U 18HX-550/3T	4	112	444	350	177	220	170	794	21,5	43	65
U 18HX-750/4T	5,5	132	704	400	197	256	300	1104	42,5	66	109
U 18HX-1000/5T	7,5	132	752	400	197	256	300	1152	44	73	117
U 18HX-1500/6T	11	160	820	503	255	315	350	1323	48,5	120	169
U 18HX-1500/7T	11	160	868	503	255	315	350	1371	50	120	170
U 18HX-1500/8T	11	160	916	503	255	315	350	1419	51,5	120	172
U 18HX-2000/9T	15	160	964	503	255	315	350	1467	53	132	185
U 18HX-2000/10T	15	160	1012	503	255	315	350	1515	54,5	132	187
U 18HX-2000/11T	15	160	1060	503	255	315	350	1563	55,5	132	188
U 18HX-2500/12T	18,5	160	1108	598	252	315	350	1706	57	150	207

ULTRA 22 HX





Round flanges on body type PN25/40: the pump is supplied without counterflanges (optional accessories, including bolts and joints)

TYPE	MOTOR		DIMENSIONS (mm)						Kg		
	kW	Dim	L1	L2	M	D1	D2	L1+L2	Pump	Motor	Electric Pump
U 22HX-300/1T	2,2	90	396	308	145	177	170	704	18,5	26	45
U 22HX-550/2T	4	112	396	350	177	220	170	746	20	43	63
U 22HX-750/3T	5,5	132	656	400	197	256	300	1056	41	66	107
U 22HX-1000/4T	7,5	132	704	400	197	256	300	1104	42,5	73	116
U 22HX-1500/5T	11	160	772	503	255	315	350	1275	47	120	167
U 22HX-1500/6T	11	160	820	503	255	315	350	1323	48,5	120	169
U 22HX-2000/7T	15	160	868	503	255	315	350	1371	50	132	182
U 22HX-2000/8T	15	160	916	503	255	315	350	1419	51,5	132	184
U 22HX-2500/9T	18,5	160	964	598	252	315	350	1562	53	150	203
U 22HX-2500/10T	18,5	160	1012	598	252	315	350	1610	54,5	150	205



ULTRA HS-HX Serie-Mechanical seal and bearings

CARTRIDGE MECHANICAL SEAL	PUMP MODEL	SHAFT Ø		STANDARD MATERIAL	OPTIONAL		
	U18-200/1T, U18-400/2T, U18-550/3T, U18-750/4T, U18-1000/5T, U18-1500/6T, U18-1500/7T, U18-1500/8T, U18-2000/9T, U18-2000/10T, U18-2000/11T, U18-2500/12T, U22-300/1T, U22-550/2T, U22-750/3T, U22-1000/4T, U22-1500/5T, U22-1500/6T, U22-2000/7T, U22-2000/8T, U22-2500/9T, U22-2500/10T	16mm	Rotating face Stationary face Elastomer	SiC Graphite EPDM	SiC Graphite FKM	SiC SiC EPDM	SiC SiC FKM
	U35-400/1-1RT, U35-550/1T, U35-750/2-2RT, U35-1000/2-1RT, U35-1500/2T, U35-1500/3-2RT, U35-1500/3-1RT, U35-2000/3T, U35-2000/4-2RT, U35-2000/4-1RT, U35-2500/4T, U35-2500/5-2RT, U35-2500/5-1RT, U35-3000/5T, U35-3000/6-2RT, U35-3000/6-1RT, U35-4000/6T, U35-4000/7-2RT, U35-4000/7-1RT, U35-4000/7T, U35-4000/8-2RT, U35-5000/8-1RT, U35-5000/8T, U50-750/1-1RT, U50-1000/1T, U50-1500/2-2RT, U50-1500/2-1RT, U50-2000/2T, U50-2500/3-2RT, U50-2500/3-1RT, U50-2500/3T, U50-3000/4-2RT, U50-4000/4-1RT, U50-4000/4T, U50-4000/5-2RT, U50-4000/5-1RT, U50-5000/5T, U50-5000/6-2RT, U50-5000/6-1RT, U50-5000/6T, U50-6000/7-2RT, U50-6000/7-1RT, U50-6000/7T, U75-1000/1-1RT, U75-1500/1T, U75-2000/2-2RT, U75-2500/2-1RT, U75-3000/2T, U75-3000/3-2RT, U75-4000/3-1RT, U75-4000/3T, U75-5000/4-2RT, U75-5000/4-1RT, U75-6000/4T, U75-6000/5-2RT, U75-6000/5-1RT, U90-1500/1-1RT, U90-2000/1T, U90-2500/2-2RT, U90-3000/2-1RT, U90-4000/2T, U90-5000/3-2RT, U90-5000/3-1RT, U90-6000/3T, U90-6000/4-2RT	22mm / Balanced seal	Rotating face Stationary face Elastomer	SiC Graphite EPDM	SiC Graphite FKM	SiC SiC EPDM	SiC SiC FKM

BEARINGS	PUMP MODEL	PUMP THRUST BEARING		MOTOR BEARING	
	U18-200/1T, U22-300/1T	-	-	6205-ZZ C3	6205-ZZ C3
	U18-400/2T, U18-550/3T, U22-550/2T, U35-400/1-1RT, U35-550/1T	-	-	6206-ZZ C3	6206-ZZ C3
	U18-750/4T, U18-1000/5T, U22-750/3T, U22-1000/4T, U35-750/2-2RT, U35-1000/2-1RT, U50-750/1-1RT, U50-1000/1T, U75-1000/1-1RT	6212 ZZ	-	6309-ZZ C3	6208-ZZ C3
	U18-1500/6T, U18-1500/7T, U18-1500/8T, U18-2000/9T, U18-2000/10T, U18-2000/11T, U18-2500/12T, U22-1500/5T, U22-1500/6T, U22-2000/7T, U22-2000/8T, U22-2500/9T, U22-2500/10T, U35-1500/2T, U35-1500/3-2RT, U35-1500/3-1RT, U50-1500/2-2RT, U50-1500/2-1RT, U75-1500/1T, U90-1500/1-1RT	6212 ZZ	-	6309-ZZ C3	6309-ZZ C3
	U35-2000/3T, U35-2000/4-2RT, U35-2000/4-1RT, U35-2500/4T, U35-2500/5-2RT, U35-2500/5-1RT, U50-2000/2T, U50-2500/3-2RT, U50-2500/3-1RT, U50-2500/3T, U75-2000/2-2RT, U75-2500/2-1RT, U90-2000/1T, U90-2500/2-2RT	6212 ZZ	7212 BEP	6311-ZZ C3	6311-ZZ C3
	U35-3000/5T, U35-3000/6-2RT, U35-3000/6-1RT, U50-3000/4-2RT, U75-3000/2T, U75-3000/3-2RT, U90-3000/2-1RT	6214 ZZ	7214 BEP	6312-ZZ C3	6312-ZZ C3
	U35-4000/6T, U35-4000/7-2RT, U35-4000/7-1RT, U35-4000/7T, U35-4000/8-2RT, U35-5000/8-1RT, U35-5000/8T, U50-4000/4-1RT, U50-4000/4T, U50-4000/5-2RT, U50-4000/5-1RT, U50-5000/5T, U50-5000/6-2RT, U50-5000/6-1RT, U50-5000/6T, U75-4000/3-1RT, U75-4000/3T, U75-5000/4-2RT, U75-5000/4-1RT, U90-4000/2T, U90-5000/3-2RT, U90-5000/3-1RT	6214 ZZ	7214 BEP	6313-ZZ C3	6313-ZZ C3
U50-6000/7-2RT, U50-6000/7-1RT, U50-6000/7T, U75-6000/4T, U75-6000/5-2RT, U75-6000/5-1RT, U90-6000/3T, U90-6000/4-2RT			6313-ZZ C3	6313-ZZ C3	



ULTRA V/L/H + VSD

Vertical booster pump with variable speed drive

ULTRA V



EPIC / EPIC-A

IPFC

ULTRA L



EPIC / EPIC-A

IPFC

ULTRA H



IPFC

DESCRIPTION

Vertical pump of ULTRA series provided with variable speed drive EPIC, EPIC-A or IPFC. This booster pump assures a desired pressure regardless of changes on flow demand making it suitable for low or missing pressure in residential systems and industrial applications. It is required the installation of a membrane tank downstream the system.

FEATURES

- EPIC, EPIC-A or IPFC variable speed drive
- Three-phase vertical pump of ULTRA series
- Pressure sensor wired to the vsd
- Cable with plug for EPIC vsd only

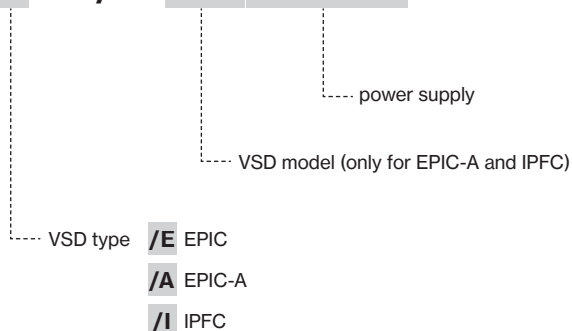
FUNCTIONING

If the pressure in the network drops the pump will start and gradually speeds up to provide with the set pressure. When the water demand decreases, the pressure will rise causing the pump speed to slow down and eventually to stop the pump if demand ceases. The pump will remain on standby waiting to start at the next water demand.

SELECTION

The next table shows the vertical ULTRA pump models available for the assembly with EPIC, EPIC-A or IPFC. For pumps longer than 1.4m, IPFC is not assembled onto the motor fan cover but is supplied with a wall-mounting kit. Consult the catalog at the ULTRA series for pump specifics and characteristic curves.

U5SL /A 250/5 T -209 3×220-60



ULTRA+VSD

		3- PUMP						VSD TYPE						
TYPE		VERSION						Power supply						
		V	SV	L	SL SLX	LG	SL SLGX	1-220V		3-380V		3-220V		
U 3	120/4T	■	■	■	■	-	-	EPIC	IPFC 109	EPIC-A 304	IPFC 306	EPIC-A 206	IPFC 206	
	150/5T	■	■	■	■	-	-			EPIC-A 306		EPIC-A 209	IPFC 209	
	200/6T	■	■	■	-	-	-		-	-	EPIC-A 309	IPFC 309	EPIC-A 214	IPFC 214
	250/7T	■	■	■	■	-	-	-			IPFC 311	-	IPFC 218	
	300/8T	■	■	■	■	-	-	-			-	-	-	
	350/10T	-	-	-	-	-	■	-			-	-	-	
	400/12T	-	-	-	-	-	■	-			-	-	-	
	450/14T	-	-	-	-	-	■	-	-	-	-			
U 5	180/4T	■	■	■	■	-	-	EPIC	IPFC 109	EPIC-A 304	IPFC 306	EPIC-A 209	IPFC 209	
	250/5T	■	■	■	■	-	-	-	-	EPIC-A 306		EPIC-A 214	IPFC 214	
	300/6T	■	■	■	■	-	-			EPIC-A 309	IPFC 309	-	IPFC 218	
	350/7T	■	■	■	■	-	-			-	IPFC 311	-	IPFC 225	
	400/8T	■	■	■	■	-	-	-	IPFC 314	-	-			
	450/10T	-	-	-	-	-	■	-	-	-	-			
	550/12T	-	-	-	-	-	■	-	-	-	-			
	750/14T	-	-	-	-	-	■	-	-	-	-			
U 7	300/4T	■	■	■	■	-	-	-	IPFC 114	EPIC-A 306	IPFC 306	EPIC-A 214	IPFC 214	
	400/5T	■	■	■	■	-	-			EPIC-A 309	IPFC 309			
	450/6T	■	■	■	■	-	-		-	-	IPFC 311	-	IPFC 218	
	550/7T	■	■	■	■	-	-				IPFC 314		IPFC 225	
	750/8T	■	■	■	■	-	-				IPFC 318		IPFC 230	
	800/10T	-	-	-	-	-	■		-	-	-	-		
	900/12T	-	-	-	-	-	■		-	-	-	-		
	U 9	350/4T	■	■	■	■	-		-	-	-	EPIC-A 309	IPFC 309	EPIC-A 214
400/5T		■	■	■	■	-	-	-	-			IPFC 311	-	IPFC 218
450/6T		■	■	■	■	-	-					IPFC 314		IPFC 225
550/7T		■	■	■	■	-	-	-	-			IPFC 318	-	IPFC 230
750/8T		■	■	■	■	-	-					IPFC 325		-
800/10T		-	-	-	-	-	■					-		-
900/12T		-	-	-	-	-	■	-	-			-	-	



		3- PUMP							VSD TYPE				
TYPE		VERSION							Power supply				
		V	SV	L	SL SLX	LG	HS	HX	1-220V	3-380V		3-220V	
U 18	200/1T	-	-	-	-	-	-	■	IPFC 109	EPIC-A 304	IPFC 306	EPIC-A 206	IPFC 206
	400/2T	-	-	-	-	-	-	■	IPFC 114	EPIC-A 306		EPIC-A 214	IPFC 211
	400/3T	■	■	■	■	-	-	-		EPIC-A 309	IPFC309		IPFC 214
	550/3T	-	-	-	-	-	-	■					
	550/4T	■	■	■	■	-	-	-			IPFC311		IPFC 225
	750/4T	-	-	-	-	-	-	■			IPFC 314		
	750/5T	■	■	■	■	-	-	-					
	1000/5T	-	-	-	-	-	-	■					
	900/6T	■	■	■	■	-	-	-			IPFC318		IPFC 230
	950/7T	-	-	-	-	■	-	-					
	1500/6T	-	-	-	-	-	-	■					
	1500/7T	-	-	-	-	-	-	■					
	1500/8T	-	-	-	-	-	-	■			IPFC325		
	2000/9T	-	-	-	-	-	-	■					
2000/10T	-	-	-	-	-	-	■						
2000/11T	-	-	-	-	-	-	■			IPFC330			
U 22	300/1T	-	-	-	-	-	■	■	IPFC 114	EPIC-A 306	IPFC 306	EPIC-A 209	IPFC 209
	550/2T	-	-	-	-	-	■	■			IPFC 309		IPFC 214
	750/3T	-	-	-	-	-	■	■			IPFC 311		IPFC 225
	1000/4T	-	-	-	-	-	■	■			IPFC 318		IPFC 230
	1500/5T	-	-	-	-	-	■	■			IPFC 325		
	1500/6T	-	-	-	-	-	■	■					
	2000/7T	-	-	-	-	-	■	■			IPFC 330		
	2000/8T	-	-	-	-	-	■	■					
U 35	400/1-1RT	-	-	-	-	-	■	■		EPIC-A 309		EPIC-A 214	IPFC 211
	550/1T	-	-	-	-	-	■	■			IPFC 309		IPFC 218
	750/2-2RT	-	-	-	-	-	■	■			IPFC 314		IPFC 225
	1000/2-1RT	-	-	-	-	-	■	■			IPFC 318		IPFC 230
	1500/2T	-	-	-	-	-	■	■					
	1500/3-2RT	-	-	-	-	-	■	■					
	1500/3-1RT	-	-	-	-	-	■	■			IPFC 325		
	2000/3T	-	-	-	-	-	■	■					
	2000/4-2RT	-	-	-	-	-	■	■			IPFC 330		
2000/4-1RT	-	-	-	-	-	■	■						
U 50	750/1-1RT	-	-	-	-	-	■	■			IPFC 311		IPFC 218
	1000/1T	-	-	-	-	-	■	■			IPFC 314		IPFC 225
	1500/2-2RT	-	-	-	-	-	■	■			IPFC 325		
	1500/2-1RT	-	-	-	-	-	■	■					
	2000/2T	-	-	-	-	-	■	■			IPFC 330		
U 75	1000/1-1RT	-	-	-	-	-	■	■			IPFC 314		IPFC 225
	1500/1T	-	-	-	-	-	■	■			IPFC 325		
	2000/2-2RT	-	-	-	-	-	■	■			IPFC 330		
U 90	1500/1-1RT	-	-	-	-	-	■	■			IPFC 325		
	2000/1RT	-	-	-	-	-	■	■			IPFC 330		

